

saTECH TSB

ARTECHE saTECH TSB test block allows the testing of the protection relay, in a safe and easy way, ensuring isolation between the relay and field elements and eliminating any risk for the user.

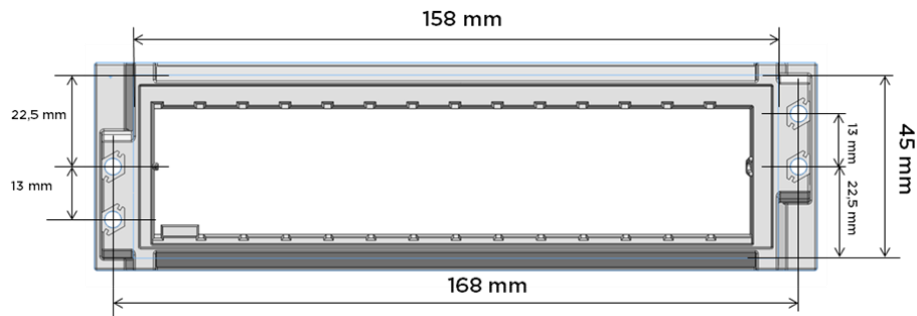
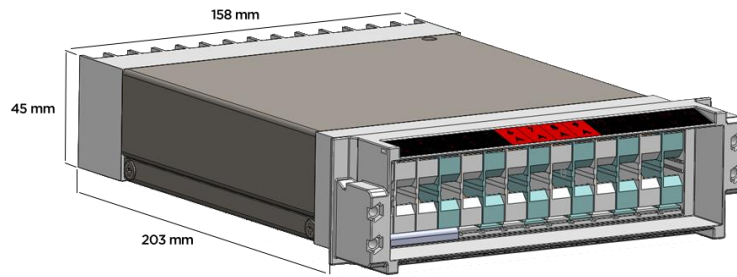


MAIN FEATURES

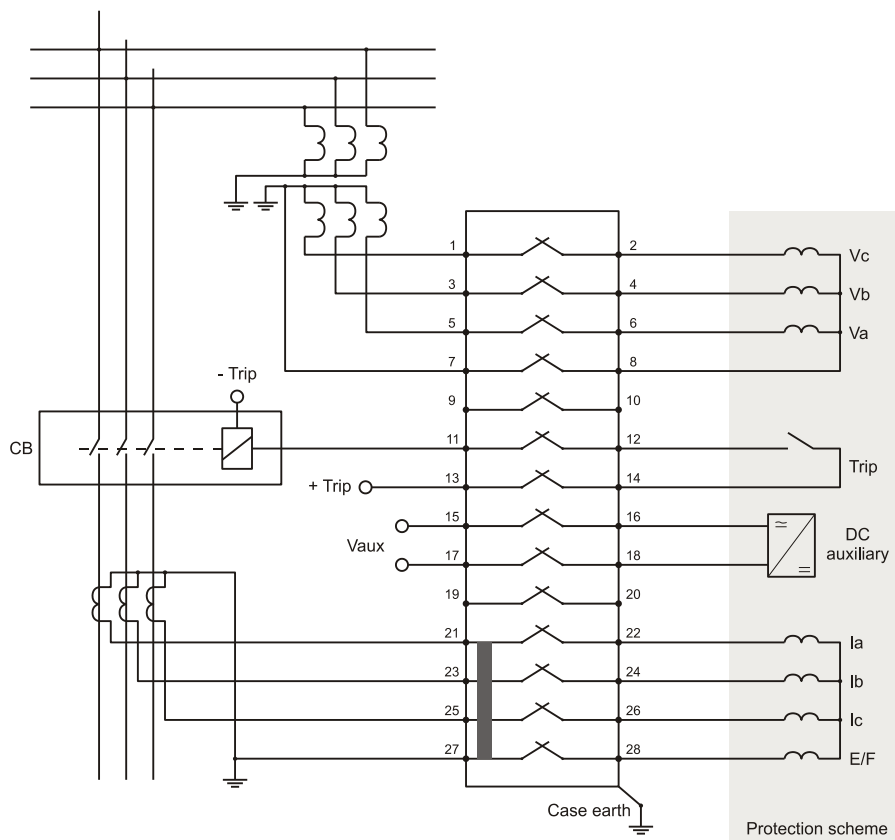
- > 14 circuits with different possible configurations (trips, current, voltages) according to customer requirements.
- > Safe for the user, who will never have access to live parts during insertion and removal operations.
- > Safe sequence of disconnection when inserting the test plug, disconnecting first the tripping circuits, to avoid unwanted operation, and later current and voltage circuits, short-circuiting CTs before opening the current circuits (Make before break sequence).
- > Safe sequential removal of the test plug, connecting first VTs and CTs, and Using a braking system allowing the relay to stabilize before connecting the tripping circuits.
- > Single Test Plug for all the different variants of Test Blocks.
- > Flush mounting or 19" rackable.



- > Test Plug



APPLICATION SAMPLE



CT shorting bar for circuit isolation