

ICP-5

600 V CURRENT TRANSFORMER



INDOOR
60 Hertz

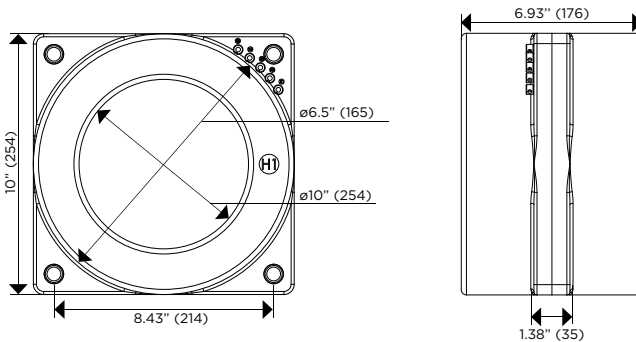
ARTECHE ICP series are dry type indoor service current transformers. The core is encapsulated with an impact-resistant polycarbonate which provides excellent internal dielectric properties and mechanical strength, ensuring a long mechanical and electrical life. The transformer is maintenance free.

The core is built with high permeability grain oriented silicon steel laminations for low losses.

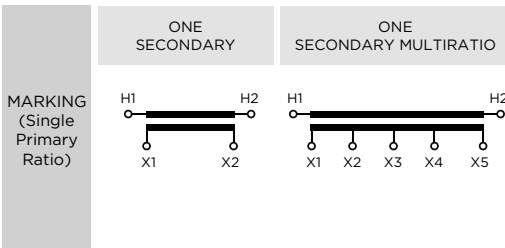
The windings are copper wire with copper plate double isolation. The concentric distribution of the coils prevents magnetic flux leakage, achieving greater accuracy and higher capacity to withstand mechanical stresses in adverse operating conditions.

Mechanical characteristics

Insulation Material	Color	Weight (lbs.)
Polycarbonate	Black	54.8



Drawing number: 4287900



Approximate dimensions in inches (mm).

ICP-5

600 V CURRENT TRANSFORMER

Electrical characteristics										
Code	Window Size	Current Ratio (Primary: Secondary) (A)	Continuous Thermal Current Rating Factor @ 30°C	Continuous Thermal Current Rating Factor @ 55°C	IEEE Metering Accuracy	Relay Accuracy	Nominal Voltage System (kV)	BIL (kV)	Power-Frequency Withstand Voltage (1 min)	
									Primary & Secondary (kV _{rms})	Secondary Winding (kV _{rms})
735151010	6.50"	50:5	2.0	1.5	2.4B0.1/4.8B0.2	C10	0.6	10	4	2.5
735151015	6.50"	75:5	2.0	1.5	1.2B0.2/2.4B0.5	C20	0.6	10	4	2.5
735151020	6.50"	100:5	2.0	1.5	0.6B0.1/1.2B0.2/2.4B0.5	C20	0.6	10	4	2.5
735151030	6.50"	150:5	2.0	1.5	0.6B0.2/1.2B0.5/2.4B0.9	C50	0.6	10	4	2.5
735151040	6.50"	200:5	2.0	1.5	0.3B0.2/0.6B0.5/1.2B0.9/2.4B1.8	C50	0.6	10	4	2.5
735151050	6.50"	250:5	2.0	1.5	0.3B0.2/0.6B0.5/1.2B0.9/2.4B1.8	C50	0.6	10	4	2.5
735151060	6.50"	300:5	2.0	1.5	0.3B0.5/0.6B0.9/1.2B1.8	C100	0.6	10	4	2.5
735151080	6.50"	400:5	2.0	1.5	0.3B0.5/0.6B1.8	C100	0.6	10	4	2.5
735151100	6.50"	500:5	2.0	1.5	0.3B0.9/0.6B1.8	C100	0.6	10	4	2.5
735151120	6.50"	600:5	2.0	1.5	0.3B0.9/0.6B1.8	C200	0.6	10	4	2.5
735151150	6.50"	750:5	2.0	1.5	0.3B1.8	C200	0.6	10	4	2.5
735151160	6.50"	800:5	2.0	1.5	0.3B1.8	C200	0.6	10	4	2.5
735151200	6.50"	1000:5	2.0	1.5	0.3B1.8	C200	0.6	10	4	2.5
735151240	6.50"	1200:5	2.0	1.5	0.3B1.8	C400	0.6	10	4	2.5
735151300	6.50"	1500:5	2.0	1.5	0.3B1.8	C400	0.6	10	4	2.5
735151320	6.50"	1600:5	2.0	1.5	0.3B1.8	C400	0.6	10	4	2.5
735151400	6.50"	2000:5	2.0	1.5	0.3B1.8	C400	0.6	10	4	2.5
735151500	6.50"	2500:5	2.0	1.5	0.3B1.8	C400	0.6	10	4	2.5
735151600	6.50"	3000:5	2.0	1.5	0.3B1.8	C400	0.6	10	4	2.5
735151800	6.50"	4000:5	1.33	1.0	0.3B1.8	C400	0.6	10	4	2.5
735159991	6.50"	5000:5	1.0	0.75	0.3B1.8	C400	0.6	10	4	2.5
735159992	6.50"	6000:5	1.0	0.75	0.3B1.8	C400	0.6	10	4	2.5
735152120	6.50"	600:5 MR	2	1.5	0.3B0.9/0.6B1.8	C200	0.6	10	4	2.5
735152240	6.50"	1200:5 MR	2	1.5	0.3B1.8	C400	0.6	10	4	2.5
735152400	6.50"	2000:5 MR	2	1.5	0.3B1.8	C400	0.6	10	4	2.5
735152600	6.50"	3000:5 MR	2	1.5	0.3B1.8	C400	0.6	10	4	2.5
735152800	6.50"	4000:5 MR	1.33	1.0	0.3B1.8	C400	0.6	10	4	2.5
735159993	6.50"	5000:5 MR	1	0.75	0.3B1.8	C400	0.6	10	4	2.5
735159994	6.50"	6000:5 MR	1	0.75	0.3B1.8	C400	0.6	10	4	2.5

Additional ratings available upon request.

Notes:

.....

.....

.....

.....

.....

.....