

# smART DM9300

**High-end Revenue and advanced power quality meter**

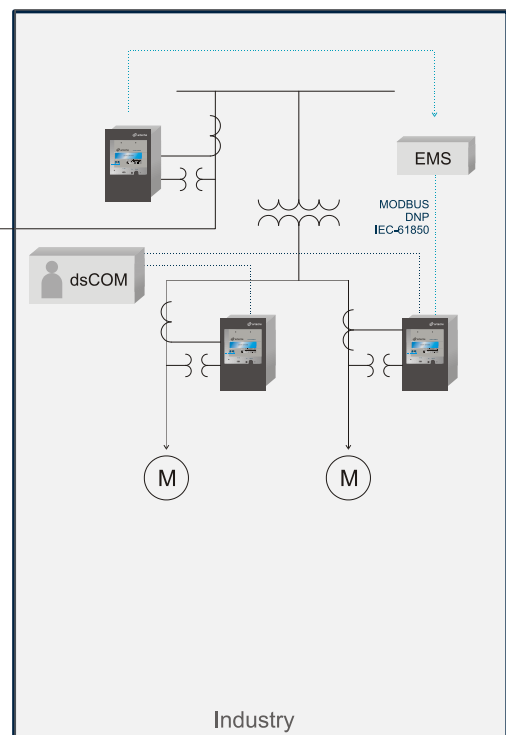
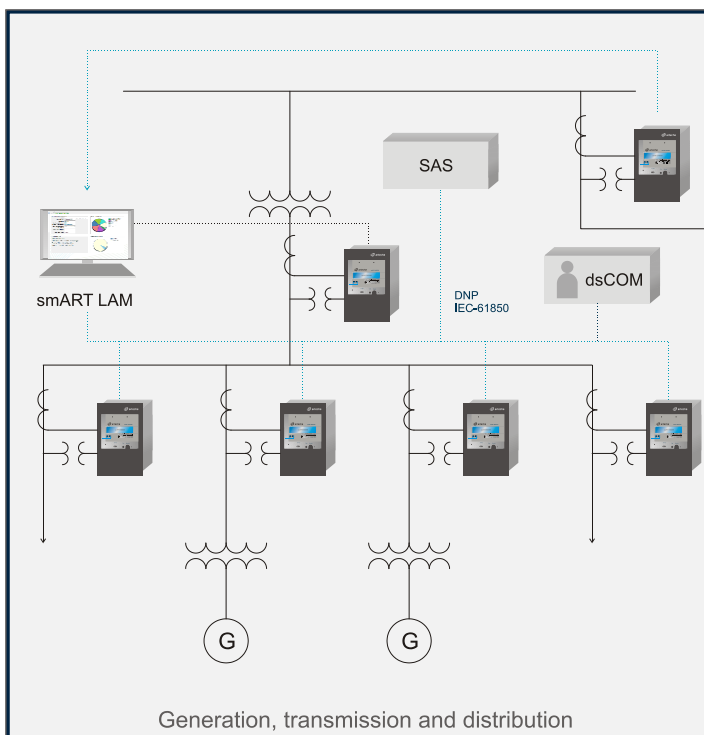


## APPLICATIONS

- > Power production metering and quality control in power generation facilities
- > Sub-metering and Power quality monitoring to improve system reliability in transmission, distribution and industrial power systems.
- > Revenue and power quality metering at power exchange and HV/MV supply points.

## PERFORMANCE

- > 0,2% accuracy class according to IEC62052-11, IEC62053-22 and ANSI12.20
- > Class S Power Quality Measurement according to IEC 61000-4-30
- > Class S flickermeter according to IEC 61000-4-15 for 60 Hz.
- > Multi protocol enabled devices including Modbus, DNP, IEC-61850 for easy system and SCADA/EMS integration.



## GENERAL CHARACTERISTICS

### Accuracy

- > 0.2 class according the most demanding standards: IEC 62052-11, IEC 62053, ANSI 12.20, CFE G0000-48 and IEC 62053-22.

### Security

- > Configuration change management through change logs, redundant demand tables, secure access control, up to 16 local users with configurable access levels.

### Metering system

- > Sampling frequency of 256 samples per cycle. R.M.S. up to 128th harmonic.

### DScom Software

- > DScom is a powerful yet user-friendly meter configuration tool distributed freely with our meters that enables:
  - Meter programming and configuration
  - System integration
  - Local data acquisition
  - Remote data acquisition

### Communications

#### Ports:

- > Front-port: Optical port.
- > RS-232.
- > RS-485.
- > Ethernet (multi-user)

#### Protocols:

- > DNP 3.0 nivel 2.
- > DNP/TCP
- > IEC 61850
- > Modbus RTU
- > Modbus Master
- > Proprietary protocol

#### Modes:

- > Ethergate

### Input/Outputs

- > 1 Irig-B input
- > 3 solid-state KYZ type outputs
- > 2 infrared LED outputs
- > All solid-state and infrared outputs are programmables to send-out pulses with: Wh, Varh, Vah, Dh, Ah, Vh per hour, end of period, period change, active period, diagnosis, instantaneous demand and programmed alarms or constant of energy (ke).



## smART LAM: AMR software tool



**smART DM9300T**  
Switchboard type



**smART DM9300TE**  
Switchboard removable type



## dsCOM: configuration software