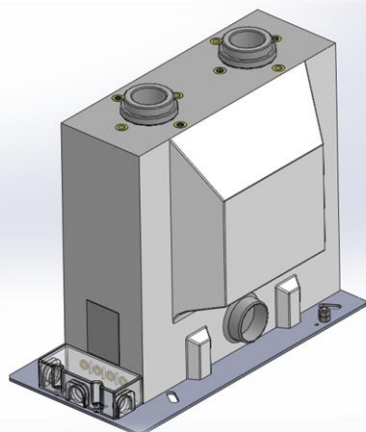


VEN-24

25 kV VOLTAGE TRANSFORMER



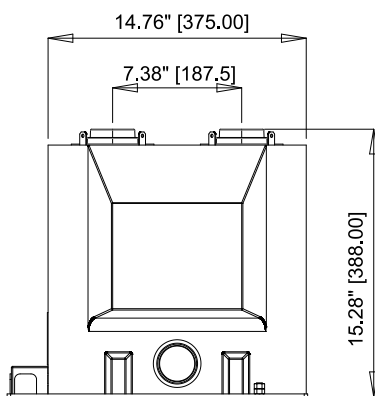
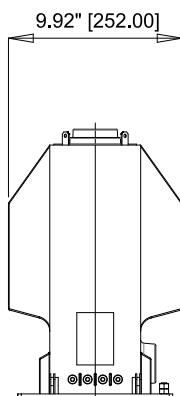
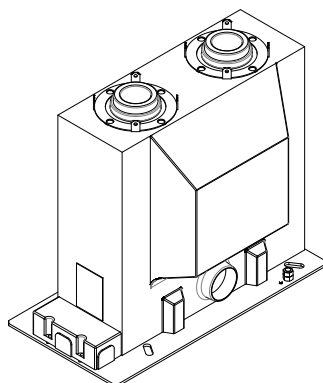
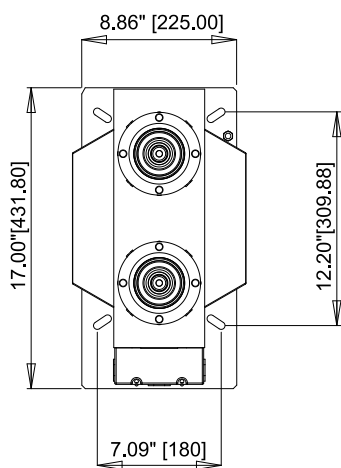
ARTECHE VEN series are dry type indoor service voltage transformers. The entire surface of the transformer is coated with a conductive layer that is intended to be solidly grounded when energized. The core is encapsulated with Type B epoxy resin which provides excellent internal dielectric properties and mechanical strength, ensuring a long mechanical and electrical life. The transformer is maintenance free.

The core is built with high permeability grain oriented silicon steel laminations for low losses. The windings are copper wire with copper plate double isolation. The concentric distribution of the coils prevents magnetic flux leakage, achieving greater accuracy and higher capacity to withstand mechanical stresses in adverse operating conditions.

Partial Discharge measurements exceed the IEEE, CAN/CSA and IEC requirements.

Mechanical characteristics

Insulation Material	Colors	Weight (kg.)
Resin	Gray*	64



Aprox. Weight (lb)	140
--------------------	-----

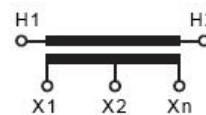
MARKING
(Single
primary
ratio)

1 SECONDARY



MARKING
(Double
ratio)

1 SECONDARY



Approximate dimensions in inches (mm).

VEN-24

25 kV VOLTAGE TRANSFORMER

Electrical characteristics

Ratio	Primary (V)	Secondary (V)	IEEE Metering Accuracy	Continuous Rated Voltage Factor (Un)	Rated Voltage Factor 30s (Un)	Thermal Burden (VA)	Nominal Voltage System (kV)	BIL (kV)	Power-Frequency Withstand Voltage (1min)	
									Primary & Secondary (kV _{rms})	Secondary Winding (kV _{rms})
60:1	7200/12470Y	120	0.3 W,X,M,Y	1.1	1.25	1000	25	125	50	2.5
63.5:1	7620/132010Y	120	0.3 W,X,M,Y	1.1	1.25	1000	25	125	50	2.5
70:1	8400/14560Y	120	0.3 W,X,M,Y	1.1	1.25	1000	25	125	50	2.5
100:1	12000/20780Y	120	0.3 W,X,M,Y	1.1	1.25	1000	25	125	50	2.5
120:1	14400/24940Y	120	0.3 W,X,M,Y	1.1	1.25	1000	25	125	50	2.5
150:1	18000/18000Y	120	0.3 W,X,M,Y	1.1	1.25	1000	25	125	50	2.5
200:1	24000/24000Y	120	0.3 W,X,M,Y	1.1	1.25	1000	25	125	50	2.5
207.83:1	24940/24940Y	120	0.3 W,X,M,Y	1.1	1.25	1000	25	125	50	2.5

Other characteristics on request.

Secondary terminals:

- **Size: M6**
- **Torque: 3 Nm**
- **Material: Brass**

Notes:

.....

.....

.....

.....

.....

.....

.....

.....

.....

.....

.....

.....

.....

.....

.....

.....

.....

.....

.....

.....