

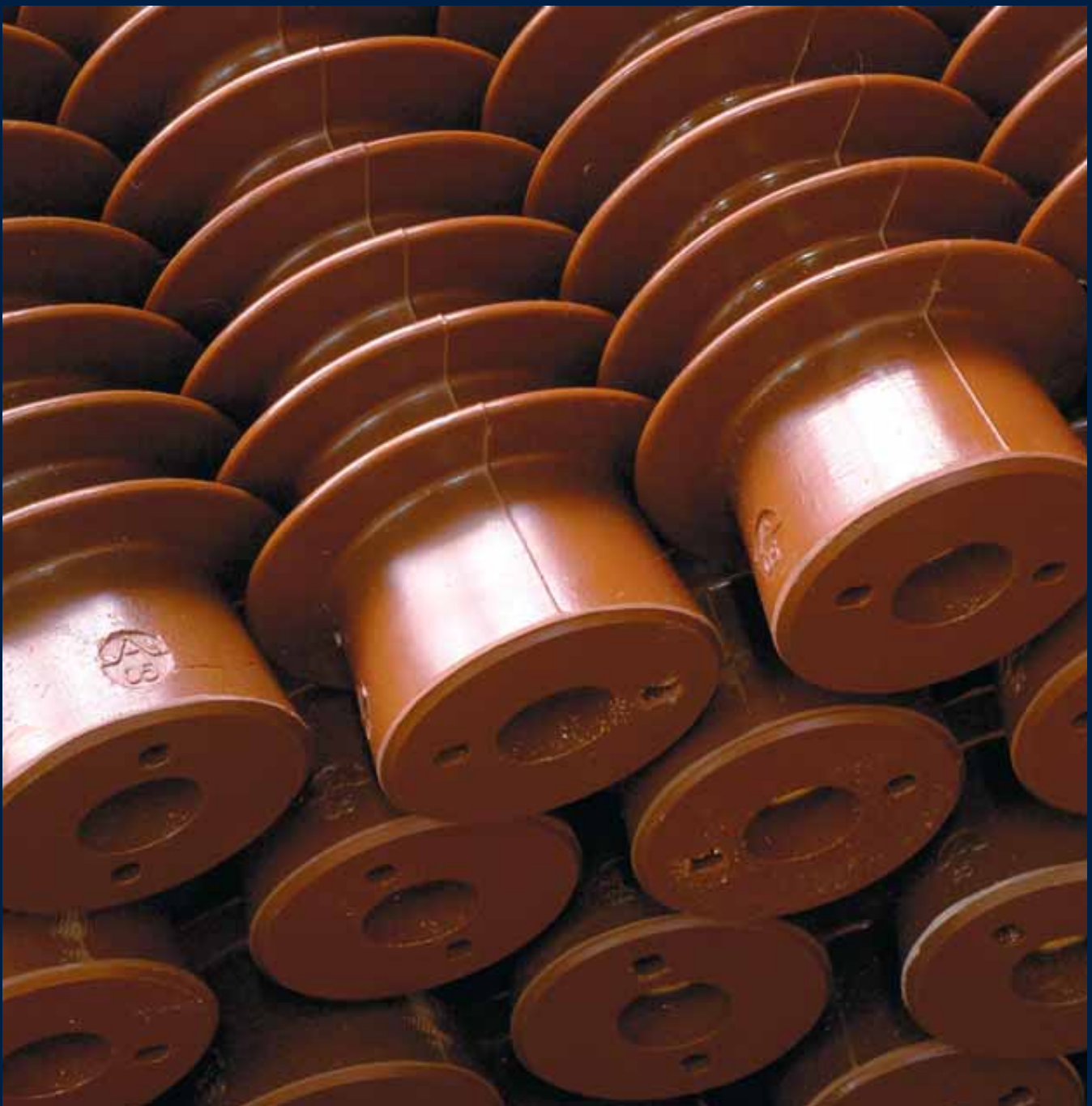
2. INSULATORS & WALL BUSHINGS

Support insulators

Signal insulators

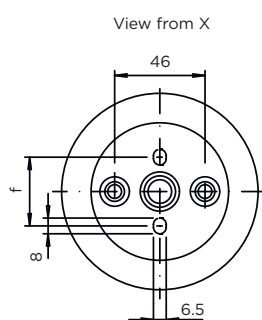
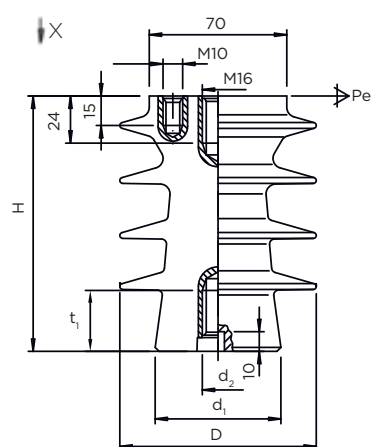
Signalling box

Wall bushings



2. INSULATORS AND WALL BUSHINGS > Support insulators > Indoor

AR

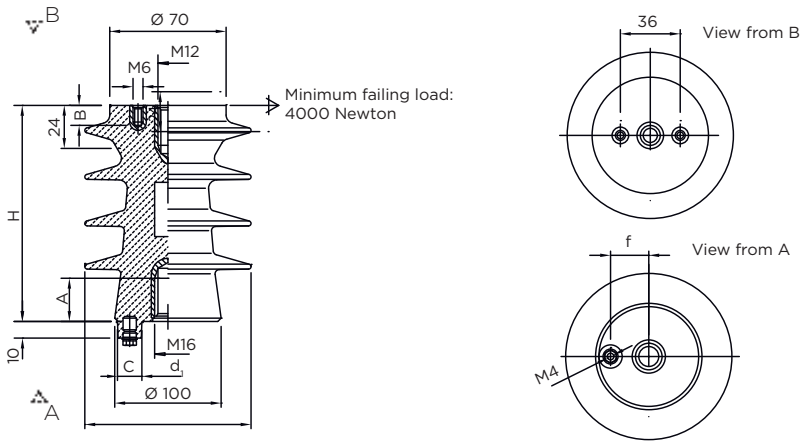


CHARACTERISTICS AND DIMENSIONS

Type	Highest system voltage kV	Rated insulation level		Minimum breaking stress P (kg)	No sheds	Weight (kg)	Creepage distance	H (±0.5)	Ø Máx. D	d ₁	d ₂	t ₁	f		
		Lightning Impulse (BIL) kV	Power frequency kV												
AR-8-60	7.2	60	80	800	3	0.7	200	95	100	56	M16	26	35		
AR-8-75	12	75	38		4	0.98	272	130		64	M16				
AR-8-95	17.5	95	50		6	1.37	340	175		69	M20			35	45
AR-8-125	24	125	70		7	1.65	397	210		74	M20			45	60
AR-8-170	36	170			11	2.57	555	300		84	M24			51	60



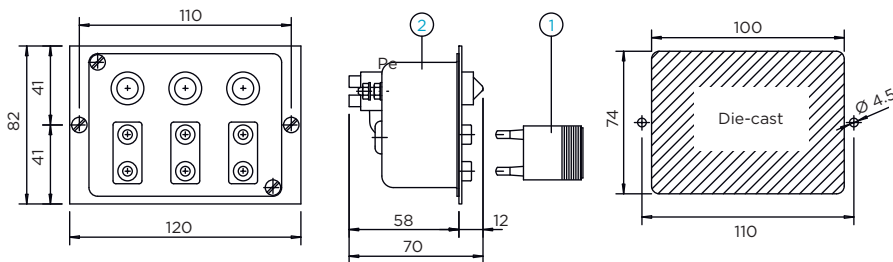
ARC



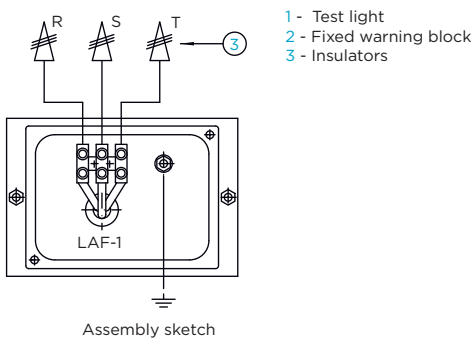
CHARACTERISTICS AND DIMENSIONS

Type	Highest system voltage kV	Lightning impulse (BIL) kV	Power frequency kV	kV min.	kV max.	Height (kg)	Creepage distance	H (±0.5)	d ₁	f	A	B	Ø C
ARC-8-40	3.6	40	10	1.2	3.6								
ARC-8-60	7.2	60	20	2.4	7.2	0.98	272	130	64	23	26	12	
ARC-8-75	12	75	28	4	12								
ARC-8-95	17.5	95	38	5.8	17.5								16
ARC-8-125	24	125	50	8	24	1.65	397	210	74	28	28	10	
ARC-8-170	36	170	70	12	36	2.60	555	300	84				

LAF-1



LAF-1 Application





ARTECHE transformers
are installed in over 150
countries.

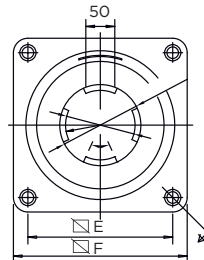
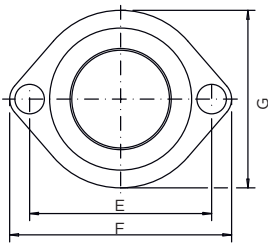
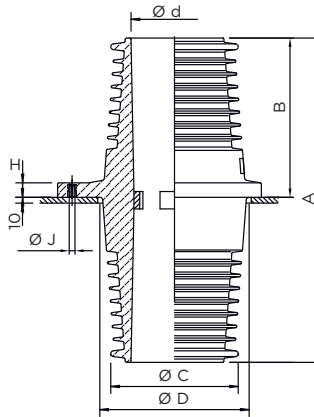
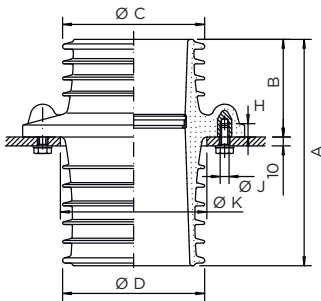
PRU - PRP



> PRU

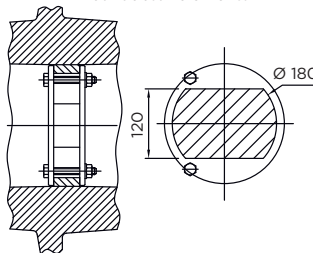
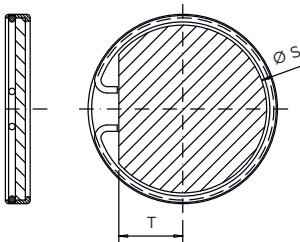


> PRP



Detail (striped)
Useful zone to place conductor elements

Detail (striped)
Useful zone to place conductor elements

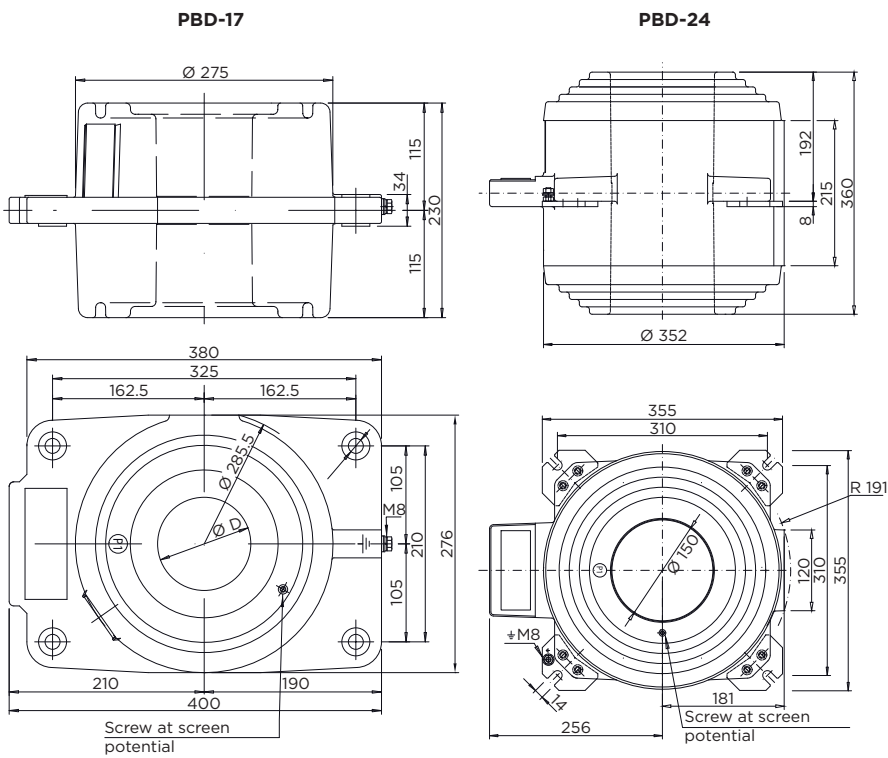


CHARACTERISTICS AND DIMENSIONS

Type	Highest system voltage kV	Lightning Impulse (BIL) kV	Bars max.	Current max.	Weight (kg)	A	B	C	D	d	E	F	G	H	J	K	S	T
PRU-12/75	12	75	60	1,000	2.3	255	110	115	115	68	160	200	160	15	M10	120	65	20
PRU-12/115			100		3.5			160	160	110	205	250	200				165	105
PRU-24/115	24	125	100	2,500	9	425	200	185	185	110	230	280	210	24	M12	190	105	40
PRP-36	36	170	120		32.5	560	275	220	220	120	250	300	300	25	20	257		

2. INSULATORS AND WALL BUSHINGS > Bushings > Indoor

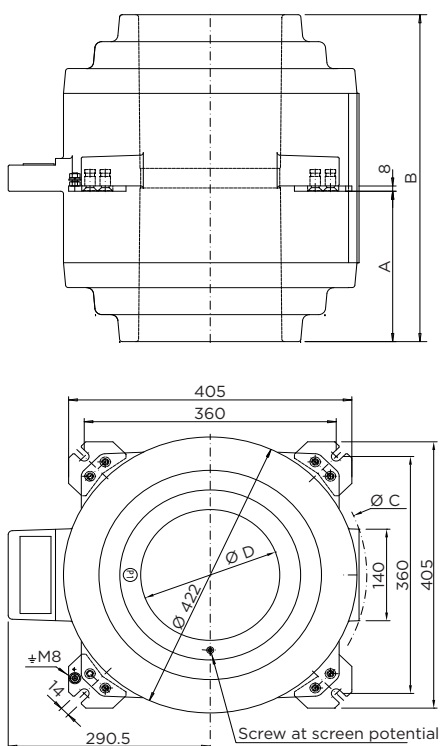
PBD



DIMENSIONS

Type	Mark	$\varnothing D$	Weight (kg)
PBD-17	A	100	25
	B	130	
PBD-24			45

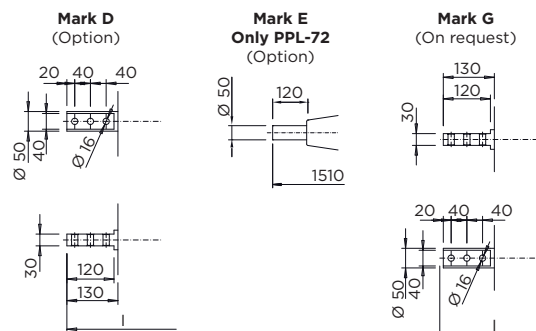
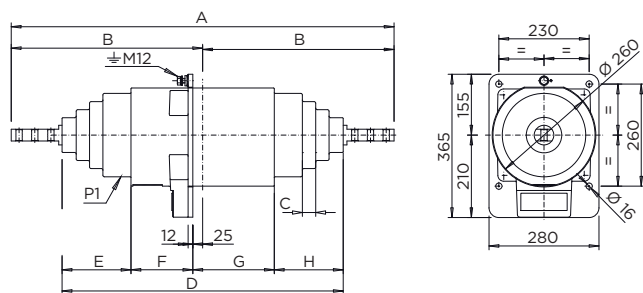
PBE



DIMENSIONS

Type	A	B	C	D
PBE-12	255	550	227	275
PBE-24	230	500	225	200

PPL

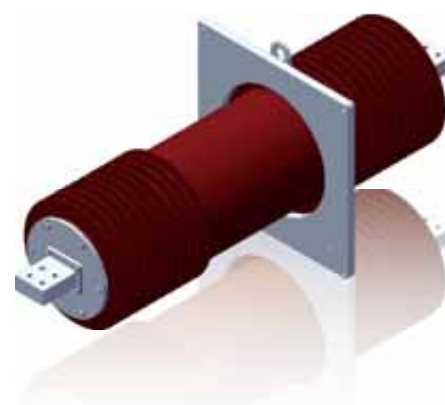


DIMENSIONS									
Type	A	B	C	D	E	F	G	H	I
PPL-12	706	353		442	38.5	157.5	207.5	38.5	706
PPL-36			34	716	175.5			175.5	975
PPL-72				1,270	451	159	209	451	1,530

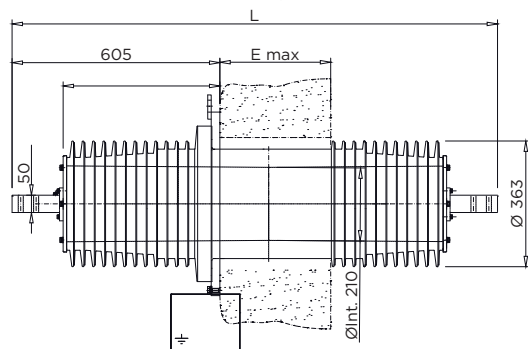
The innovation undertaken by ARTECHE in instrument transformers during the late years have made them more efficient, with compact designs for an easier transport, store, and installation and to minimize their visual impact.

PPE-36

DIMENSIONS				
Type	Mark	Ø D	E max	L
With primary terminal	A		320	1,412
	B		400	1,492
Without primary terminal	A	125	320	1,125
	B		400	1,205
	C	210	320	1,125
	D		400	1,205



With primary terminal



Without primary terminal

