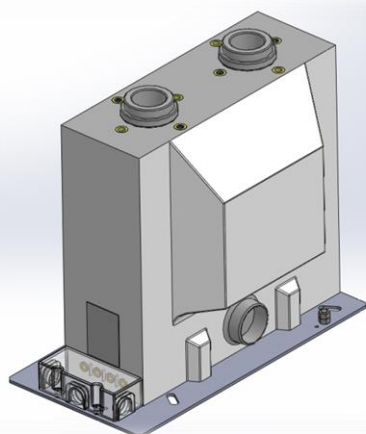


VENS-17

15 kV VOLTAGE TRANSFORMER



ARTECHE VENS series are dry type indoor service voltage transformers. The core is encapsulated with Type B epoxy resin which provides excellent internal dielectric properties and mechanical strength, ensuring a long mechanical and electrical life. The transformer is maintenance free.

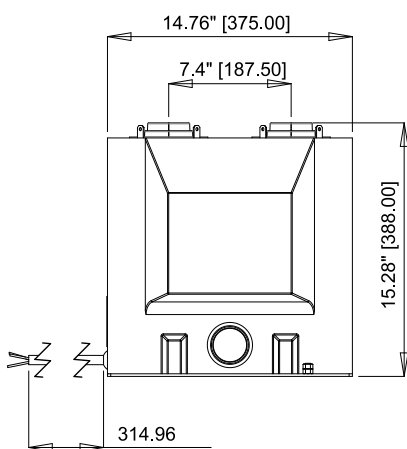
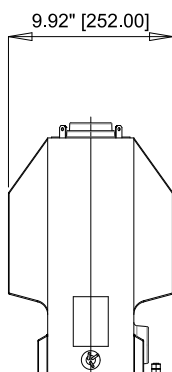
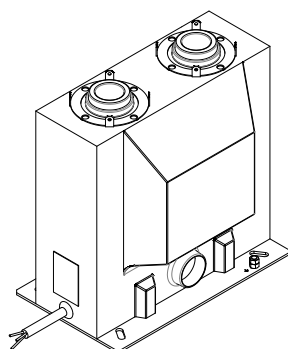
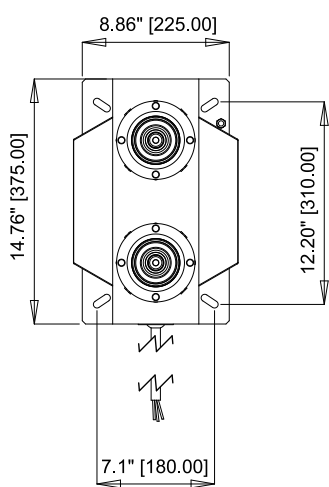
The core is built with high permeability grain oriented silicon steel laminations for low losses. The windings are copper wire with copper plate double isolation. The concentric distribution of the coils prevents magnetic flux leakage, achieving greater accuracy and higher capacity to withstand mechanical stresses in adverse operating conditions.

Partial Discharge measurements exceed the IEEE, CAN/CSA and IEC requirements.

The new design is a voltage transformer for 19 feet (about 6 meter) intermittent submersible application with metallic coating. The model is cast in epoxy resin and is strongly insulated to environment. The VENS-17 (two phase) models are metering units and are rated for use up to 15kV submersible operation up to 110kV BIL. The medium voltage terminals are bushing wells compatible with IEEE 386 interfaces.

Mechanical characteristics

Insulation Material	Colors	Weight (kg.)
Resin	Gray*	64



Aprox. Weight (lb)	140
--------------------	-----

MARKING
(Single primary ratio)

1 SECONDARY



MARKING
(Double ratio)

1 SECONDARY



Approximate dimensions in inches (mm).

