

VRL-17

15 kV VOLTAGE TRANSFORMER



**OUTDOOR
60 Hertz**

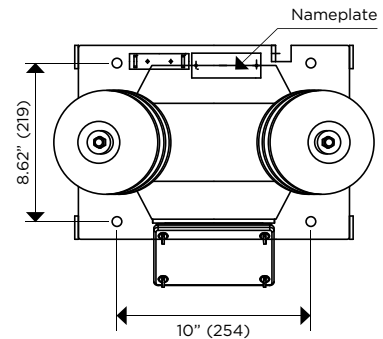
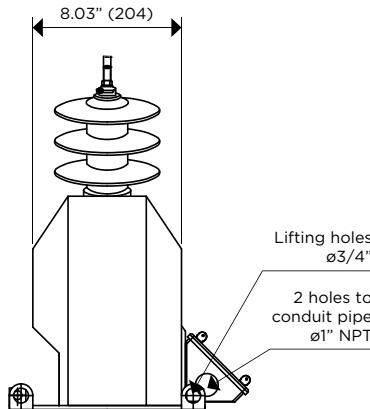
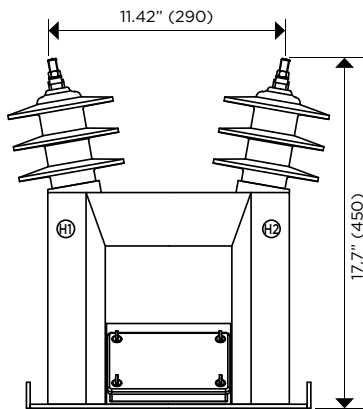
ARTECHE UR/VR series are dry type outdoor service voltage transformers. The core is encapsulated with Type B epoxy resin which provides excellent internal dielectric properties and mechanical strength. The external layer of Cycloaliphatic Epoxy Resin (CEP) provides resistance to ultraviolet rays and the effects of tracking and erosion on the exterior of the transformer ensuring a long mechanical and electrical life. The transformer is maintenance free.

The external layer can be manufactured with Hydrophobic Cycloaliphatic Epoxy Resin (HCEP) which improves service life expectancy due to its improved tracking and erosion resistance. HCEP additionally increases the transformer's weatherability and offers better performance in heavily polluted environments.

The core is built with high permeability grain oriented silicon steel laminations for low losses. The windings are copper wire with copper plate double isolation. The concentric distribution of the coils prevents magnetic flux leakage, achieving greater accuracy and higher capacity to withstand mechanical stresses in adverse operating conditions.

Partial Discharge measurements exceed the IEEE, CAN/CSA and IEC requirements.

Mechanical characteristics		Weight (lbs.)	Creepage distance (in)	Strike distance (in)
Insulation Material	Colors	76	21.2	10.23
Resin	Gray*			



Drawing number:
Fused: 4286569
Unfused: 4286774

	PRIMARY TERMINAL	GROUND TERMINAL	SECONDARY TERMINAL
CONNECTIONS			
	Type: TE-4T Material: Copper Range: 8SOL-4TRE	Type: TE-12-250 Material: Copper Range: 4TRE-250MCM	Type: Quick Connector Material: Brass

	SINGLE SECONDARY
MARKING (Single Primary Ratio)	
	FUSED UNFUSED

Approximate dimensions in inches (mm). • * Brown color available upon request

VRL-17

15 kV VOLTAGE TRANSFORMER

Electrical characteristics											
Code * (CEP)	Marked Ratio	Primary (V)	Secondary (V)	Accuracy / Burden (W,X,M,Y)	Continuous Rated Voltage Factor (Un)	Rated Voltage Factor 30 s (Un)	Thermal Burden (VA)	Nominal Voltage System (kV)	BIL (kV)	Power-Frequency Withstand Voltage (1 min)	
										Primary & Secondary (kV _{rms})	Secondary Winding (kV _{rms})
With FUSE in the secondary box											
757021020	20:1	2400/4160Y	120	0.3	1.1	1.25	750	15	110	34	2.5
757021035	35:1	4200/4200Y	120	0.3	1.1	1.25	750	15	110	34	2.5
757021040	40:1	4800/4800Y	120	0.3	1.1	1.25	750	15	110	34	2.5
757021042	42:1	5040/5040Y	120	0.3	1.1	1.25	750	15	110	34	2.5
757021060	60:1	7200/12470Y	120	0.3	1.1	1.25	750	15	110	34	2.5
757021063	63.5:1	7620/13200Y	120	0.3	1.1	1.25	750	15	110	34	2.5
757021066	66:1	7920/13700Y	120	0.3	1.1	1.25	750	15	110	34	2.5
757021070	70:1	8400/14550Y	120	0.3	1.1	1.25	750	15	110	34	2.5
757021100	100:1	12000/12000Y	120	0.3	1.1	1.25	750	15	110	34	2.5
757021110	110:1	13200/13200Y	120	0.3	1.1	1.25	750	15	110	34	2.5
757021115	115:1	13800/13800Y	120	0.3	1.1	1.25	750	15	110	34	2.5
757021120	120:1	14400/14400Y	120	0.3	1.1	1.25	750	15	110	34	2.5
757025020	20:1	2400/4160Y	120	0.3	1.1	1.25	1000	15	110	34	2.5
757025035	35:1	4200/4200Y	120	0.3	1.1	1.25	1000	15	110	34	2.5
757025040	40:1	4800/4800Y	120	0.3	1.1	1.25	1000	15	110	34	2.5
757025042	42:1	5040/5040Y	120	0.3	1.1	1.25	1000	15	110	34	2.5
757025060	60:1	7200/12470Y	120	0.3	1.1	1.25	1000	15	110	34	2.5
757025063	63.5:1	7620/13200Y	120	0.3	1.1	1.25	1000	15	110	34	2.5
757025066	66:1	7920/13700Y	120	0.3	1.1	1.25	1000	15	110	34	2.5
757025070	70:1	8400/14550Y	120	0.3	1.1	1.25	1000	15	110	34	2.5
757025100	100:1	12000/12000Y	120	0.3	1.1	1.25	1000	15	110	34	2.5
757025110	110:1	13200/13200Y	120	0.3	1.1	1.25	1000	15	110	34	2.5
757025115	115:1	13800/13800Y	120	0.3	1.1	1.25	1000	15	110	34	2.5
757025120	120:1	14400/14400Y	120	0.3	1.1	1.25	1000	15	110	34	2.5

VRL-17

15 kV VOLTAGE TRANSFORMER

Electrical characteristics											
Code * (CEP)	Marked Ratio	Primary (V)	Secondary (V)	Accuracy / Burden (W,X,M,Y)	Continuous Rated Voltage Factor (Un)	Rated Voltage Factor 30 s (Un)	Thermal Burden (VA)	Nominal Voltage System (kV)	BIL (kV)	Power-Frequency Withstand Voltage (1 min)	
										Primary & Secondary (kV _{rms})	Secondary Winding (kV _{rms})
Without FUSE in the secondary box											
757024020	20:1	2400/4160Y	120	0.3	1.1	1.25	750	15	110	34	2.5
757024035	35:1	4200/4200Y	120	0.3	1.1	1.25	750	15	110	34	2.5
757024040	40:1	4800/4800Y	120	0.3	1.1	1.25	750	15	110	34	2.5
757024042	42:1	5040/5040Y	120	0.3	1.1	1.25	750	15	110	34	2.5
757024060	60:1	7200/12470Y	120	0.3	1.1	1.25	750	15	110	34	2.5
757024063	63.5:1	7620/13200Y	120	0.3	1.1	1.25	750	15	110	34	2.5
757024066	66:1	7920/13700Y	120	0.3	1.1	1.25	750	15	110	34	2.5
757024070	70:1	8400/14550Y	120	0.3	1.1	1.25	750	15	110	34	2.5
757024100	100:1	12000/12000Y	120	0.3	1.1	1.25	750	15	110	34	2.5
757024110	110:1	13200/13200Y	120	0.3	1.1	1.25	750	15	110	34	2.5
757024115	115:1	13800/13800Y	120	0.3	1.1	1.25	750	15	110	34	2.5
757024120	120:1	14400/14400Y	120	0.3	1.1	1.25	750	15	110	34	2.5
757020020	20:1	2400/4160Y	120	0.3	1.1	1.25	1000	15	110	34	2.5
757020035	35:1	4200/4200Y	120	0.3	1.1	1.25	1000	15	110	34	2.5
757020040	40:1	4800/4800Y	120	0.3	1.1	1.25	1000	15	110	34	2.5
757020042	42:1	5040/5040Y	120	0.3	1.1	1.25	1000	15	110	34	2.5
757020060	60:1	7200/12470Y	120	0.3	1.1	1.25	1000	15	110	34	2.5
757020063	63.5:1	7620/13200Y	120	0.3	1.1	1.25	1000	15	110	34	2.5
757020066	66:1	7920/13700Y	120	0.3	1.1	1.25	1000	15	110	34	2.5
757020070	70:1	8400/14550Y	120	0.3	1.1	1.25	1000	15	110	34	2.5
757020100	100:1	12000/12000Y	120	0.3	1.1	1.25	1000	15	110	34	2.5
757020110	110:1	13200/13200Y	120	0.3	1.1	1.25	1000	15	110	34	2.5
757020115	115:1	13800/13800Y	120	0.3	1.1	1.25	1000	15	110	34	2.5
757020120	120:1	14400/14400Y	120	0.3	1.1	1.25	1000	15	110	34	2.5

* For HCEP Option add (-H) to the end of the code number.
Additional ratings available upon request.

