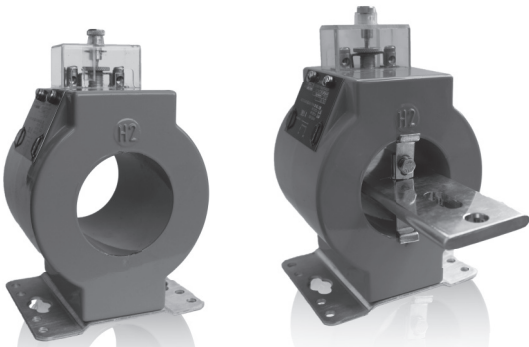


IRH-5

600 V CURRENT TRANSFORMER



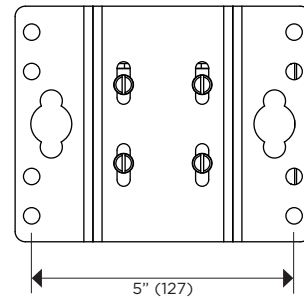
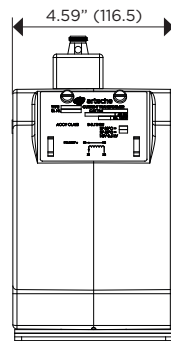
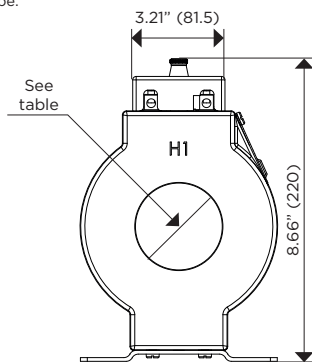
ARTECHE IRH series are dry type indoor/outdoor service current transformers. The core is encapsulated with epoxy resin which provides excellent internal dielectric properties and mechanical strength, ensuring a long mechanical and electrical life. The transformer is maintenance free.

The core is built with high permeability grain oriented silicon steel laminations for low losses. The windings are copper wire with copper plate double isolation. The concentric distribution of the coils prevents magnetic flux leakage, achieving greater accuracy and higher capacity to withstand mechanical stresses in adverse operating conditions.

UL Recognized Component
INDOOR-OUTDOOR
60 Hertz

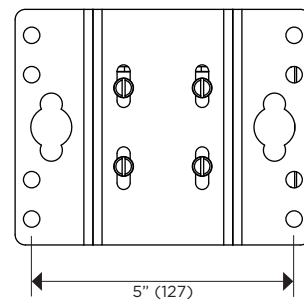
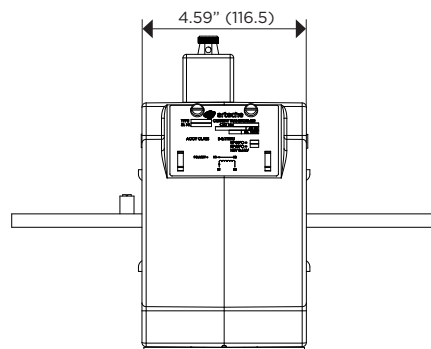
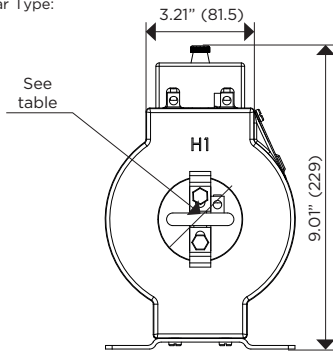
Mechanical characteristics		
Insulation Material	Color	Weight (lbs.)
Resin	Blue	Window Type: 10/12 / Primary Bar Type: 15

Window Type:



Drawing number: 4287171

Primary Bar Type:



Drawing number: 4287182

MARKING (Single Primary Ratio)	ONE SECONDARY	ONE SECONDARY with tap	CONNECTIONS	PRIMARY TERMINAL	SECONDARY TERMINALS AND SHORT CIRCUIT DEVICE
				Type: NEMA2 Material: Copper	Secondary terminals. Type: Quick Connector Material: Brass Diameter: 1/4"

Approximate dimensions in inches (mm).

