

IRH-10

600 V CURRENT TRANSFORMER



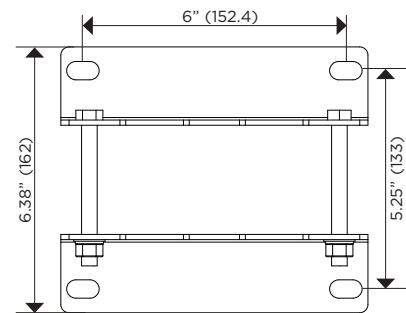
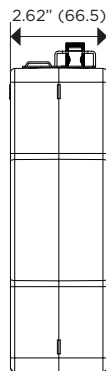
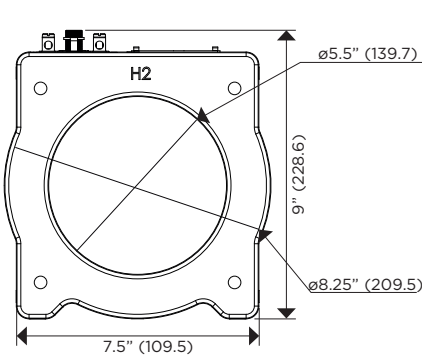
ARTECHE IRH series are dry type indoor/outdoor service current transformers. The core is encapsulated with epoxy resin which provides excellent internal dielectric properties and mechanical strength, ensuring a long mechanical and electrical life. The transformer is maintenance free.

The core is built with high permeability grain oriented silicon steel laminations for low losses. The windings are copper wire with copper plate double isolation. The concentric distribution of the coils prevents magnetic flux leakage, achieving greater accuracy and higher capacity to withstand mechanical stresses in adverse operating conditions.

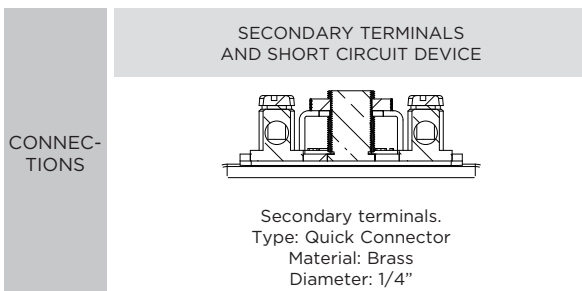
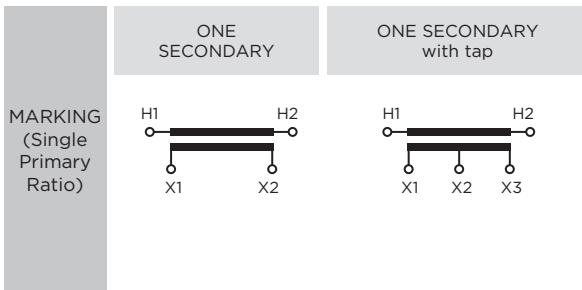


INDOOR-
OUTDOOR
60 Hertz

Mechanical characteristics		
Insulation Material	Color	Weight (lbs.)
Resin	Blue	13



Drawing number: 4287273



Approximate dimensions in inches (mm).

IRH-10

600 V CURRENT TRANSFORMER

Electrical characteristics						Current Ratio (Primary: Secondary) (A)	Continuous Thermal Current Rating Factor @ 30°C	Continuous Thermal Current Rating Factor @ 55°C	IEEE Metering Accuracy	Relay Accuracy
Window type		Window plate type		Nema 4 Bar Type						
No Base	Low Base	No Base	Low Base	No Base	Low Base					
735340000	735341080	735340060	735340040	735340120	735340100	400:5	3.0	2.2	0.3 B0.2	C-20
735340001	735341100	735340061	735340041	735340121	735340101	500:5	4.0	3.0	0.3 B0.5	-
735340002	735341120	735340062	735340042	735340122	735340102	600:5	3.0	2.2	0.3 B0.5	C-30
735340003	735341160	735340063	735340043	735340123	735340103	800:5	2.0	1.5	0.3 B0.5	C-30
735340004	735341200	735340064	735340044	735340124	735340104	1000:5	2.0	1.5	0.3 B0.5	C-30
735340005	735341240	735340065	735340045	735340125	735340105	1200:5	2.0	1.5	0.3 B0.9	C-30
735340006	735341300	735340066	735340046	735340126	735340106	1500:5	3.0	2.2	0.3 B0.9	C-30
735340007	735341400	735340067	735340047	735340127	735340107	2000:5	2.0	1.5	0.3 B1.8	C-50
735340008	735341600	735340068	735340048	735340128	735340108	3000:5	1.5	1.2	0.3 B1.8	C-10
735340009	735341800	735340069	735340049	735340129	735340109	4000:5	1.33	1.0	0.3 B1.8	-
735340160	735342120	735340220	735340200	735340280	735340260	600/1200:5	3.0/2.0	2.2/1.5	0.3 B0.2/B0.9	C-10/C-30
735340161	735342160	735340221	735340201	735340281	735340261	800/1600:5	3.0/2.0	2.2/1.5	0.3 B0.2/B1.8	C-30/C-50
735340162	735342200	735340222	735340202	735340282	735340262	1000/2000:5	3.0/2.0	2.2/1.5	0.3 B0.5/B1.8	C-30/C-50
735340163	735342300	735340223	735340203	735340283	735340263	1500/3000:5	2.0/1.5	1.5/1.2	0.3 B0.9/B1.8	-/C-10
735340164	735342400	735340224	735340204	735340284	735340264	2000/4000:5	2.0/1.33	1.5/1.0	0.3 B1.8/B1.8	-
High Accuracy Extended Range 5% nominal current to Rating Factor										
735340320	735347400	735340380	735340360	735340440	735340420	2000:5	2.5	1.8	0.15 B0.9	-

Additional ratings available upon request.

Notes:

.....

.....

.....

.....

.....

.....

.....

.....

.....

.....

.....

.....

.....

.....

.....

.....

.....

.....

.....

.....

.....

.....

.....

.....

.....