

# VRN-17

## 15 kV VOLTAGE TRANSFORMER



**OUTDOOR  
60 Hertz**

ARTECHE UR/VR series are dry type outdoor service voltage transformers. The core is encapsulated with Type B epoxy resin which provides excellent internal dielectric properties and mechanical strength. The external layer of Cycloaliphatic Epoxy Resin (CEP) provides resistance to ultraviolet rays and the effects of tracking and erosion on the exterior of the transformer ensuring a long mechanical and electrical life. The transformer is maintenance free.

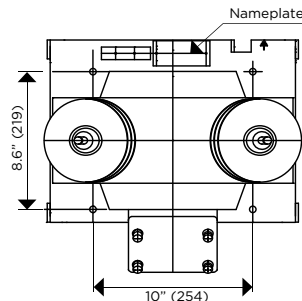
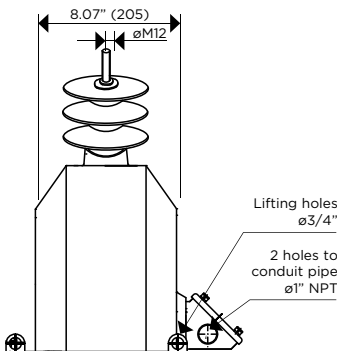
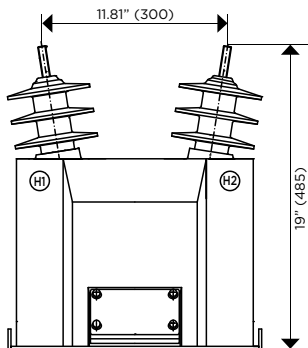
The external layer can be manufactured with Hydrophobic Cycloaliphatic Epoxy Resin (HCEP) which improves service life expectancy due to its improved tracking and erosion resistance. HCEP additionally increases the transformer's weatherability and offers better performance in heavily polluted environments.

The core is built with high permeability grain oriented silicon steel laminations for low losses. The windings are copper wire with copper plate double isolation. The concentric distribution of the coils prevents magnetic flux leakage, achieving greater accuracy and higher capacity to withstand mechanical stresses in adverse operating conditions.

Partial Discharge measurements exceed the IEEE, CAN/CSA and IEC requirements.

**Mechanical characteristics**

Insulation Material	Colors	Weight (lbs.)	Creepage distance (in)	Strike distance (in)
Resin	Gray*	136.4	21.2	8.8



Drawing number:  
Fused: 4286575 | Unfused: 4286822

	PRIMARY TERMINAL	GROUND TERMINAL	SECONDARY TERMINAL
CONNECTIONS			
	Type: TE-4T Material: Copper Range: 8SOL-4TRE	Type: TE-12-250 Material: Copper Range: 4TRE-250MCM	Type: Quick Connector Material: Brass

	SINGLE SECONDARY	ONE SECONDARY WITH TAP
MARKING (Single Primary Ratio)		
	FUSED	FUSED
	UNFUSED	UNFUSED

Approximate dimensions in inches (mm).  
\* Brown color available upon request.

# VRN-17

## 15 kV VOLTAGE TRANSFORMER

### Electrical characteristics

Code (CEP)	Code (HCEP)	Ratio	Primary (V)	Secondary (V)	IEEE Metering Accuracy	Continuous Rated Voltage Factor 30 s (Un)	Rated Voltage Factor 30 s (Un)	Thermal Burden (VA)	Nominal Voltage System (kV)	BIL (kV)	Power-Frequency Withstand Voltage (1 min)	
											Primary & Secondary (kV <sub>rms</sub> )	Secondary Winding (kV <sub>rms</sub> )
<b>With FUSE in the secondary box</b>												
757101020	757100080-H	20:1	2400/4160Y	120	0.3 W,X,M,Y	1.1	1.25	1000	15	110	34	2.5
757101030	757100081-H	30:1	3600/3600Y	120	0.3 W,X,M,Y	1.1	1.25	1000	15	110	34	2.5
757101035	757100082-H	35:1	4200/4200Y	120	0.3 W,X,M,Y	1.1	1.25	1000	15	110	34	2.5
757101040	757100083-H	40:1	4800/4800Y	120	0.3 W,X,M,Y	1.1	1.25	1000	15	110	34	2.5
757101060	757100084-H	60:1	7200/12470Y	120	0.3 W,X,M,Y	1.1	1.25	1000	15	110	34	2.5
757101063	757100085-H	63.5:1	7620/13200Y	120	0.3 W,X,M,Y	1.1	1.25	1000	15	110	34	2.5
757101070	757100086-H	70:1	8400/14550Y	120	0.3 W,X,M,Y	1.1	1.25	1000	15	110	34	2.5
757103121	757100130-H	70/121.2:1	8400/14550Y & 14545/14545Y	120	0.3 W,X,M,Y	1.1	1.25	1000	15	110	34	2.5
757101100	757100087-H	100:1	12000/12000Y	120	0.3 W,X,M,Y	1.1	1.25	1000	15	110	34	2.5
757101110	757100088-H	110:1	13200/13200Y	120	0.3 W,X,M,Y	1.1	1.25	1000	15	110	34	2.5
757101120	757100089-H	120:1	14400/14400Y	120	0.3 W,X,M,Y	1.1	1.25	1000	15	110	34	2.5
757105020	757100160-H	20:1	2400/4160Y	120	0.3 W,X,M,Y,Z	1.1	1.25	1500	15	110	34	2.5
757105030	757100161-H	30:1	3600/3600Y	120	0.3 W,X,M,Y,Z	1.1	1.25	1500	15	110	34	2.5
757105035	757100162-H	35:1	4200/4200Y	120	0.3 W,X,M,Y,Z	1.1	1.25	1500	15	110	34	2.5
757105040	757100163-H	40:1	4800/4800Y	120	0.3 W,X,M,Y,Z	1.1	1.25	1500	15	110	34	2.5
757105060	757100164-H	60:1	7200/12470Y	120	0.3 W,X,M,Y,Z	1.1	1.25	1500	15	110	34	2.5
757105063	757100165-H	63.5:1	7620/13200Y	120	0.3 W,X,M,Y,Z	1.1	1.25	1500	15	110	34	2.5
757105070	757100166-H	70:1	8400/14550Y	120	0.3 W,X,M,Y,Z	1.1	1.25	1500	15	110	34	2.5
757106121	757100180-H	70/121.2:1	8400/14550Y & 14545/14545Y	120	0.3 W,X,M,Y,Z	1.1	1.25	1500	15	110	34	2.5
757105100	757100167-H	100:1	12000/12000Y	120	0.3 W,X,M,Y,Z	1.1	1.25	1500	15	110	34	2.5
757105110	757100168-H	110:1	13200/13200Y	120	0.3 W,X,M,Y,Z	1.1	1.25	1500	15	110	34	2.5
757105120	757100169-H	120:1	14400/14400Y	120	0.3 W,X,M,Y,Z	1.1	1.25	1500	15	110	34	2.5
<b>Without FUSE in the secondary box</b>												
757104020	757100140-H	20:1	2400/4160Y	120	0.3 W,X,M,Y	1.1	1.25	1000	15	110	34	2.5
757104030	757100141-H	30:1	3600/3600Y	120	0.3 W,X,M,Y	1.1	1.25	1000	15	110	34	2.5
757104035	757100142-H	35:1	4200/4200Y	120	0.3 W,X,M,Y	1.1	1.25	1000	15	110	34	2.5
757104040	757100143-H	40:1	4800/4800Y	120	0.3 W,X,M,Y	1.1	1.25	1000	15	110	34	2.5
757104060	757100144-H	60:1	7200/12470Y	120	0.3 W,X,M,Y	1.1	1.25	1000	15	110	34	2.5
757104063	757100145-H	63.5:1	7620/13200Y	120	0.3 W,X,M,Y	1.1	1.25	1000	15	110	34	2.5
757104070	757100146-H	70:1	8400/14550Y	120	0.3 W,X,M,Y	1.1	1.25	1000	15	110	34	2.5
757104100	757100147-H	100:1	12000/12000Y	120	0.3 W,X,M,Y	1.1	1.25	1000	15	110	34	2.5
757104110	757100148-H	110:1	13200/13200Y	120	0.3 W,X,M,Y	1.1	1.25	1000	15	110	34	2.5
757104120	757100149-H	120:1	14400/14400Y	120	0.3 W,X,M,Y	1.1	1.25	1000	15	110	34	2.5
757100020	757100000-H	20:1	2400/4160Y	120	0.3 W,X,M,Y,Z	1.1	1.25	1500	15	110	34	2.5
757100030	757100001-H	30:1	3600/3600Y	120	0.3 W,X,M,Y,Z	1.1	1.25	1500	15	110	34	2.5
757100035	757100002-H	35:1	4200/4200Y	120	0.3 W,X,M,Y,Z	1.1	1.25	1500	15	110	34	2.5
757100040	757100003-H	40:1	4800/4800Y	120	0.3 W,X,M,Y,Z	1.1	1.25	1500	15	110	34	2.5
757100060	757100004-H	60:1	7200/12470Y	120	0.3 W,X,M,Y,Z	1.1	1.25	1500	15	110	34	2.5
757100063	757100005-H	63.5:1	7620/13200Y	120	0.3 W,X,M,Y,Z	1.1	1.25	1500	15	110	34	2.5
757100070	757100006-H	70:1	8400/14550Y	120	0.3 W,X,M,Y,Z	1.1	1.25	1500	15	110	34	2.5
757100100	757100007-H	100:1	12000/12000Y	120	0.3 W,X,M,Y,Z	1.1	1.25	1500	15	110	34	2.5
757100110	757100008-H	110:1	13200/13200Y	120	0.3 W,X,M,Y,Z	1.1	1.25	1500	15	110	34	2.5
757100120	757100009-H	120:1	14400/14400Y	120	0.3 W,X,M,Y,Z	1.1	1.25	1500	15	110	34	2.5

Additional ratings available upon request.