

URJ-17

15 kV VOLTAGE TRANSFORMER



OUTDOOR
60 Hertz

ARTECHE UR/VR series are dry type outdoor service voltage transformers. The core is encapsulated with Type B epoxy resin which provides excellent internal dielectric properties and mechanical strength. The external layer of Cycloaliphatic Epoxy Resin (CEP) provides resistance to ultraviolet rays and the effects of tracking and erosion on the exterior of the transformer ensuring a long mechanical and electrical life. The transformer is maintenance free.

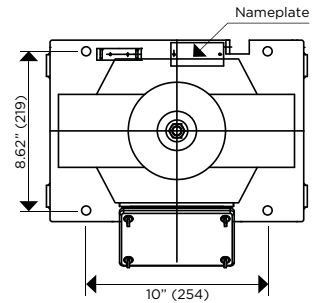
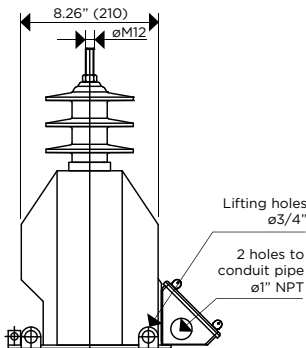
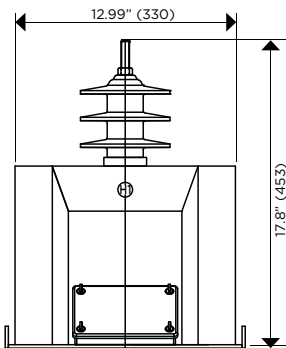
The external layer can be manufactured with Hydrophobic Cycloaliphatic Epoxy Resin (HCEP) which improves service life expectancy due to its improved tracking and erosion resistance. HCEP additionally increases the transformer's weatherability and offers better performance in heavily polluted environments.

The core is built with high permeability grain oriented silicon steel laminations for low losses. The windings are copper wire with copper plate double isolation. The concentric distribution of the coils prevents magnetic flux leakage, achieving greater accuracy and higher capacity to withstand mechanical stresses in adverse operating conditions.

Partial Discharge measurements exceed the IEEE, CAN/CSA and IEC requirements.

Mechanical characteristics

Insulation Material	Colors	Weight (lbs.)	Creepage distance (in)	Strike distance (in)
Resin	Gray*	94.6	21.45/25*	11.61/12.5*



Drawing number:
Fused: 4286572 / 4286596* | Unfused: 4286820

	PRIMARY TERMINAL	GROUND TERMINAL	SECONDARY TERMINAL
CONNECTIONS	<p>Type: TE-4T Material: Copper Range: 8SOL-4TRE</p>	<p>Type: TE-12-250 Material: Copper Range: 4TRE-250MCM</p>	<p>Type: Quick Connector Material: Brass</p>

	SINGLE SECONDARY	ONE SECONDARY WITH TAP
MARKING (Single Primary Ratio)	<p>FUSED</p>	<p>UNFUSED</p>
	<p>FUSED</p>	<p>UNFUSED</p>

Approximate dimensions in inches (mm).
* Brown color available upon request.

URJ-17

15 kV VOLTAGE TRANSFORMER

Electrical characteristics

Code (CEP)	Code (HCEP)	Ratio	Primary (V)	Secondary (V)	IEEE Metering Accuracy	Continuous Rated Voltage Factor (Un)	Rated Voltage Factor 30 s (Un)	Thermal Burden (VA)	Nominal Voltage System (kV)	BIL (kV)	Power-Frequency Withstand Voltage (1 min)	
											Primary & Secondary (kV _{rms})	Secondary Winding (kV _{rms})
With FUSE in the secondary box												
757061020	757060010-H	20:1	2400/4156GY	120	0.3 W,X,M,Y	1.1	1.5	750	5	60	19	2.5
757063060	757060030-H	20/60:1	2400/4156GY & 7200/12470GY	120	0.3 W,X / 0.3W,X,M,Y	1.1	1.5	750	15	110	34	2.5
757061060	757060011-H	60:1	7200/12470GY	120	0.3 W,X,M,Y	1.1	1.5	750	15	110	34	2.5
757061063	757060012-H	63.5:1	7620/13200GY	120	0.3 W,X,M,Y	1.1	1.5	750	15	110	34	2.5
757061070	757060013-H	70:1	8400/14550GY	120	0.3 W,X,M,Y	1.1	1.5	750	15	110	34	2.5
757065020	757060050-H	20:1	2400/4156GY	120	0.3 W,X,M,Y,Z	1.1	1.25	1500	5	60	19	2.5
757066060	757060080-H	20/60:1	2400/4156GY & 7200/12470GY	120	0.3 W,X / 0.3W,X,M,Y	1.1	1.25	1500	15	110	34	2.5
757065060	757060051-H	60:1	7200/12470GY	120	0.3 W,X,M,Y,Z	1.1	1.25	1500	15	110	34	2.5
757065063	757060052-H	63.5:1	7620/13200GY	120	0.3 W,X,M,Y	1.1	1.25	1500	15	110	34	2.5
757065070	757060053-H	70:1	8400/14550GY	120	0.3 W,X,M,Y,Z	1.1	1.25	1500	15	110	34	2.5
757067020*	757060081-H	20:1	2400/4156GY	120	0.3 W,X,M,Y,Z	1.1	1.25	1500	5	60	19	2.5
757068020*	757060082-H	20/60:1	2400/4156GY & 7200/12470GY	120	0.3 W,X / 0.3W,X,M,Y	1.1	1.25	1500	15	110	34	2.5
757067060*	757060083-H	60:1	7200/12470GY	120	0.3 W,X,M,Y,Z	1.1	1.25	1500	15	110	34	2.5
757067063*	757060084-H	63.5:1	7620/13200GY	120	0.3 W,X,M,Y	1.1	1.25	1500	15	110	34	2.5
757067070*	757060085-H	70:1	8400/14550GY	120	0.3 W,X,M,Y,Z	1.1	1.25	1500	15	110	34	2.5
Without FUSE in the secondary box												
757064020	757060040-H	20:1	2400/4156GY	120	0.3 W,X,M,Y	1.1	1.5	750	5	60	19	2.5
757064060	757060041-H	60:1	7200/12470GY	120	0.3 W,X,M,Y	1.1	1.5	750	15	110	34	2.5
757064063	757060042-H	63.5:1	7620/13200GY	120	0.3 W,X,M,Y	1.1	1.5	750	15	110	34	2.5
757064070	757060043-H	70:1	8400/14550GY	120	0.3 W,X,M,Y	1.1	1.5	750	15	110	34	2.5
757060020	757060000-H	20:1	2400/4156GY	120	0.3 W,X,M,Y,Z	1.1	1.25	1500	5	60	19	2.5
757060060	757060001-H	60:1	7200/12470GY	120	0.3 W,X,M,Y,Z	1.1	1.25	1500	15	110	34	2.5
757060063	757060002-H	63.5:1	7620/13200GY	120	0.3 W,X,M,Y	1.1	1.25	1500	15	110	34	2.5
757060070	757060003-H	70:1	8400/14550GY	120	0.3 W,X,M,Y,Z	1.1	1.25	1500	15	110	34	2.5

Additional ratings available upon request.

* Extended creepage distance.

Notes:

.....

.....

.....

.....

.....

.....

.....

.....

.....

.....