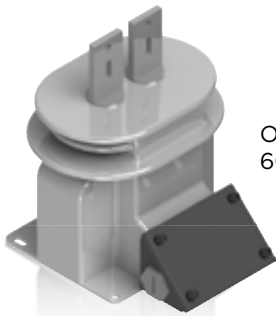


# CRE-7

## 5 kV CURRENT TRANSFORMER



OUTDOOR  
60 Hertz

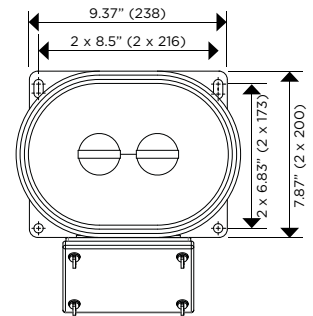
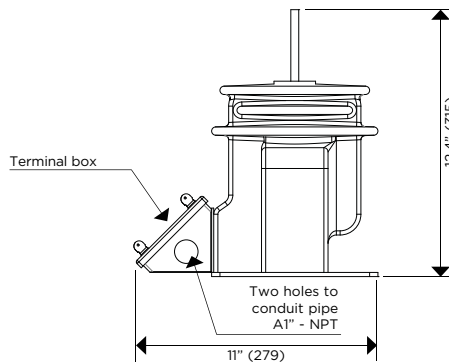
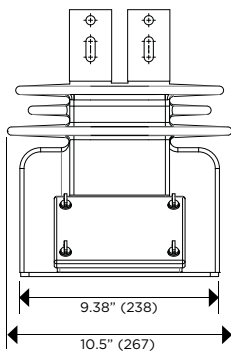
CR Series are dry type outdoor service current transformers. The core is encapsulated with Type B epoxy resin for excellence in internal dielectric properties and mechanical strength. The external layer of Cycloaliphatic resin provides resistance to ultraviolet rays and the effects of tracking and erosion on the exterior of the module. The device is maintenance free, ensuring a long mechanical and electrical life.

The core is built with silicon steel lamination. The blade is high permeability grain oriented Type for low losses. The windings are copper wire with copper plate double isolation. The concentric distribution of the coils prevents magnetic flux leakage, achieving greater accuracy and higher capacity to withstand mechanical stresses in adverse operating conditions.

Partial Discharge measurements exceed IEEE C57.13 2008 requirements.

### Mechanical characteristics

Insulation Material	Colors	Weight (lbs.)	Creepage distance (in)	Strike distance (in)
Resin	Gray	43	13.3	3



Drawing number: 4287594

	PRIMARY TERMINAL	GROUND CONNECTOR	SECONDARY TERMINAL	MARKING (Single Primary Ratio)	ONE SECONDARY
CONNECTIONS					
	Type: NEMA-2 Material: Copper	Type: TE-12-250 Material: Copper Range: 4TRE-250MCM	Type: Quick Connector Material: Brass		ONE SECONDARY with tap

Approximate dimensions in inches (mm).

\* Brown color available upon request.

# CRE-7

## 5 kV CURRENT TRANSFORMER

### Electrical characteristics

Code * (CEP)	Code (HCEP)	Current Ratio (Primary: Secondary) (A)	Continuous Thermal Current Rating Factor @ 30°C	Short-time Thermal Current (kA/1s)	Short-time Mechanical Current (kA <sub>peak</sub> )	IEEE Metering Accuracy	Relay Accuracy	Highest Nominal Voltage System (kV)	BIL (kV)	Power-Frequency Withstand Voltage (1 min)	
										Code (HCEP) <sup>†</sup>	Secondary Winding (kV <sub>rms</sub> )
756311001	756310000-H	5:5	1.5	0.5	1.35	0.3 B1.8	T-100	5	60	19	2.5
756311002	756310001-H	10:5	1.5	1	2.7	0.3 B1.8	T-100	5	60	19	2.5
756311003	756310002-H	15:5	1.5	1.5	4.05	0.3 B1.8	T-100	5	60	19	2.5
756311004	756310003-H	20:5	1.5	2	5.4	0.3 B1.8	T-100	5	60	19	2.5
756311005	756310004-H	25:5	1.5	2.5	6.75	0.3 B1.8	T-100	5	60	19	2.5
756311006	756310005-H	30:5	1.5	3	8.1	0.3 B1.8	T-100	5	60	19	2.5
756311008	756310006-H	40:5	1.5	4	10.8	0.3 B1.8	T-100	5	60	19	2.5
756311010	756310007-H	50:5	1.5	5	13.5	0.3 B1.8	T-100	5	60	19	2.5
756311015	756310008-H	75:5	1.5	7.5	20.25	0.3 B1.8	T-100	5	60	19	2.5
756311020	756310009-H	100:5	1.5	10	27	0.3 B1.8	T-100	5	60	19	2.5
756311030	756310010-H	150:5	1.5	15	40.5	0.3 B1.8	T-100	5	60	19	2.5
756311040	756310011-H	200:5	1.5	20	54	0.3 B1.8	T-100	5	60	19	2.5
756311060	756310012-H	300:5	1.5	30	81	0.3 B1.8	T-100	5	60	19	2.5
756311080	756310013-H	400:5	1.5	40	108	0.3 B1.8	T-100	5	60	19	2.5
756311120	756310014-H	600:5	1.5	60	162	0.3 B1.8	T-100	5	60	19	2.5
756311160	756310015-H	800:5	1.5	80	216	0.3 B1.8	T-100	5	60	19	2.5
756311200	756310016-H	1000:5	1.5	100	270	0.3 B1.8	T-70	5	60	19	2.5

Additional ratings available upon request.

### Notes:

.....

.....

.....

.....

.....

.....

.....

.....

.....

.....

.....

.....

.....

.....

.....

.....

.....

.....

.....