

# VRL-17

## 15 kV VOLTAGE TRANSFORMER



OUTDOOR  
60 Hertz

ARTECHE UR/VR series are dry type outdoor service voltage transformers. The core is encapsulated with Type B epoxy resin which provides excellent internal dielectric properties and mechanical strength. The external layer of Cycloaliphatic Epoxy Resin (CEP) provides resistance to ultraviolet rays and the effects of tracking and erosion on the exterior of the transformer ensuring a long mechanical and electrical life. The transformer is maintenance free.

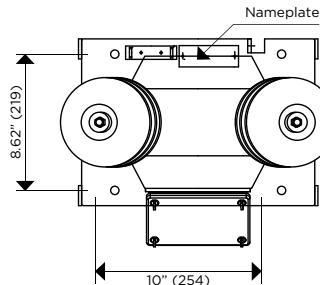
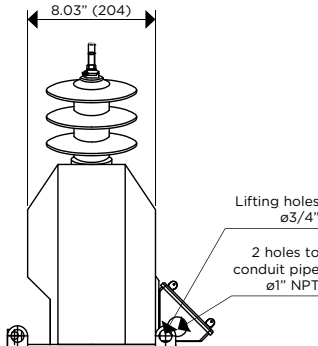
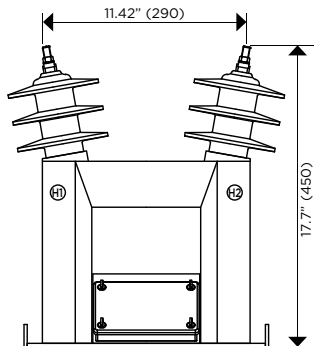
The external layer can be manufactured with Hydrophobic Cycloaliphatic Epoxy Resin (HCEP) which improves service life expectancy due to its improved tracking and erosion resistance. HCEP additionally increases the transformer's weatherability and offers better performance in heavily polluted environments.

The core is built with high permeability grain oriented silicon steel laminations for low losses. The windings are copper wire with copper plate double isolation. The concentric distribution of the coils prevents magnetic flux leakage, achieving greater accuracy and higher capacity to withstand mechanical stresses in adverse operating conditions.

Partial Discharge measurements exceed the IEEE, CAN/CSA and IEC requirements.

Mechanical characteristics

Insulation Material	Colors	Weight (lbs.)	Creepage distance (in)	Strike distance (in)
Resin	Gray*	83.7	21.2	10.23



Drawing number:  
Fused: 4286569 | Unfused: 4286774

	PRIMARY TERMINAL	GROUND TERMINAL	SECONDARY TERMINAL
CONNECTIONS			
	Type: TE-4T Material: Copper Range: 8SOL-4TRE	Type: TE-12-250 Material: Copper Range: 4TRE-250MCM	Type: Quick Connector Material: Brass

	SINGLE SECONDARY	
MARKING (Single Primary Ratio)		
	FUSED	UNFUSED

Approximate dimensions in inches (mm).  
\* Brown color available upon request.

# VRL-17

## 15 kV VOLTAGE TRANSFORMER

Electrical characteristics												
Code (CEP)	Code (HCEP)	Ratio	Primary (V)	Secondary (V)	IEEE Metering Accuracy	Continuous Rated Voltage Factor (Un)	Rated Voltage Factor 30 s (Un)	Thermal Burden (VA)	Nominal Voltage System (kV)	BIL (kV)	Power-Frequency Withstand Voltage (1 min)	
											Primary & Secondary (kV <sub>rms</sub> )	Secondary Winding (kV <sub>rms</sub> )
<b>With FUSE</b> in the secondary box												
757021020	757020000-H	20:1	2400/4160Y	120	0.3 W,X,M,Y	1.1	1.25	750	15	110	34	2.5
757021035	757020001-H	35:1	4200/4200Y	120	0.3 W,X,M,Y	1.1	1.25	750	15	110	34	2.5
757021040	757020002-H	40:1	4800/4800Y	120	0.3 W,X,M,Y	1.1	1.25	750	15	110	34	2.5
757021042	757020003-H	42:1	5040/5040Y	120	0.3 W,X,M,Y	1.1	1.25	750	15	110	34	2.5
757021060	757020004-H	60:1	7200/12470Y	120	0.3 W,X,M,Y	1.1	1.25	750	15	110	34	2.5
757021063	757020005-H	63.5:1	7620/13200Y	120	0.3 W,X,M,Y	1.1	1.25	750	15	110	34	2.5
757021066	757020006-H	66:1	7920/13700Y	120	0.3 W,X,M,Y	1.1	1.25	750	15	110	34	2.5
757021070	757020007-H	70:1	8400/14550Y	120	0.3 W,X,M,Y	1.1	1.25	750	15	110	34	2.5
757021100	757020008-H	100:1	12000/12000Y	120	0.3 W,X,M,Y	1.1	1.25	750	15	110	34	2.5
757021110	757020009-H	110:1	13200/13200Y	120	0.3 W,X,M,Y	1.1	1.25	750	15	110	34	2.5
757021115	757020010-H	115:1	13800/13800Y	120	0.3 W,X,M,Y	1.1	1.25	750	15	110	34	2.5
757021120	757020011-H	120:1	14400/14400Y	120	0.3 W,X,M,Y	1.1	1.25	750	15	110	34	2.5
757025020	757020130-H	20:1	2400/4160Y	120	0.3 W,X,M,Y	1.1	1.25	1000	15	110	34	2.5
757025035	757020131-H	35:1	4200/4200Y	120	0.3 W,X,M,Y	1.1	1.25	1000	15	110	34	2.5
757025040	757020132-H	40:1	4800/4800Y	120	0.3 W,X,M,Y	1.1	1.25	1000	15	110	34	2.5
757025042	757020133-H	42:1	5040/5040Y	120	0.3 W,X,M,Y	1.1	1.25	1000	15	110	34	2.5
757025060	757020134-H	60:1	7200/12470Y	120	0.3 W,X,M,Y	1.1	1.25	1000	15	110	34	2.5
757025063	757020135-H	63.5:1	7620/13200Y	120	0.3 W,X,M,Y	1.1	1.25	1000	15	110	34	2.5
757025066	757020136-H	66:1	7920/13700Y	120	0.3 W,X,M,Y	1.1	1.25	1000	15	110	34	2.5
757025070	757020137-H	70:1	8400/14550Y	120	0.3 W,X,M,Y	1.1	1.25	1000	15	110	34	2.5
757025100	757020138-H	100:1	12000/12000Y	120	0.3 W,X,M,Y	1.1	1.25	1000	15	110	34	2.5
757025110	757020139-H	110:1	13200/13200Y	120	0.3 W,X,M,Y	1.1	1.25	1000	15	110	34	2.5
757025115	757020140-H	115:1	13800/13800Y	120	0.3 W,X,M,Y	1.1	1.25	1000	15	110	34	2.5
757025120	757020141-H	120:1	14400/14400Y	120	0.3 W,X,M,Y	1.1	1.25	1000	15	110	34	2.5

# VRL-17

## 15 kV VOLTAGE TRANSFORMER

### Electrical characteristics

Code (CEP)	Code (HCEP)	Ratio	Primary (V)	Secondary (V)	IEEE Metering Accuracy	Continuous Rated Voltage Factor (Un)	Rated Voltage Factor 30 s (Un)	Thermal Burden (VA)	Nominal Voltage System (kV)	BIL (kV)	Power-Frequency Withstand Voltage (1 min)	
											Primary & Secondary (kV <sub>rms</sub> )	Secondary Winding (kV <sub>rms</sub> )
<b>Without FUSE in the secondary box</b>												
757024020	757020150-H	20:1	2400/4160Y	120	0.3 W,X,M,Y	1.1	1.25	750	15	110	34	2.5
757024035	757020151-H	35:1	4200/4200Y	120	0.3 W,X,M,Y	1.1	1.25	750	15	110	34	2.5
757024040	757020152-H	40:1	4800/4800Y	120	0.3 W,X,M,Y	1.1	1.25	750	15	110	34	2.5
757024042	757020153-H	42:1	5040/5040Y	120	0.3 W,X,M,Y	1.1	1.25	750	15	110	34	2.5
757024060	757020154-H	60:1	7200/12470Y	120	0.3 W,X,M,Y	1.1	1.25	750	15	110	34	2.5
757024063	757020155-H	63.5:1	7620/13200Y	120	0.3 W,X,M,Y	1.1	1.25	750	15	110	34	2.5
757024066	757020156-H	66:1	7920/13700Y	120	0.3 W,X,M,Y	1.1	1.25	750	15	110	34	2.5
757024070	757020157-H	70:1	8400/14550Y	120	0.3 W,X,M,Y	1.1	1.25	750	15	110	34	2.5
757024100	757020158-H	100:1	12000/12000Y	120	0.3 W,X,M,Y	1.1	1.25	750	15	110	34	2.5
757024110	757020159-H	110:1	13200/13200Y	120	0.3 W,X,M,Y	1.1	1.25	750	15	110	34	2.5
757024115	757020160-H	115:1	13800/13800Y	120	0.3 W,X,M,Y	1.1	1.25	750	15	110	34	2.5
757024120	757020161-H	120:1	14400/14400Y	120	0.3 W,X,M,Y	1.1	1.25	750	15	110	34	2.5
757020020	757020170-H	20:1	2400/4160Y	120	0.3 W,X,M,Y	1.1	1.25	1000	15	110	34	2.5
757020035	757020171-H	35:1	4200/4200Y	120	0.3 W,X,M,Y	1.1	1.25	1000	15	110	34	2.5
757020040	757020172-H	40:1	4800/4800Y	120	0.3 W,X,M,Y	1.1	1.25	1000	15	110	34	2.5
757020042	757020173-H	42:1	5040/5040Y	120	0.3 W,X,M,Y	1.1	1.25	1000	15	110	34	2.5
757020060	757020174-H	60:1	7200/12470Y	120	0.3 W,X,M,Y	1.1	1.25	1000	15	110	34	2.5
757020063	757020175-H	63.5:1	7620/13200Y	120	0.3 W,X,M,Y	1.1	1.25	1000	15	110	34	2.5
757020066	757020176-H	66:1	7920/13700Y	120	0.3 W,X,M,Y	1.1	1.25	1000	15	110	34	2.5
757020070	757020177-H	70:1	8400/14550Y	120	0.3 W,X,M,Y	1.1	1.25	1000	15	110	34	2.5
757020100	757020178-H	100:1	12000/12000Y	120	0.3 W,X,M,Y	1.1	1.25	1000	15	110	34	2.5
757020110	757020179-H	110:1	13200/13200Y	120	0.3 W,X,M,Y	1.1	1.25	1000	15	110	34	2.5
757020115	757020180-H	115:1	13800/13800Y	120	0.3 W,X,M,Y	1.1	1.25	1000	15	110	34	2.5
757020120	757020181-H	120:1	14400/14400Y	120	0.3 W,X,M,Y	1.1	1.25	1000	15	110	34	2.5

Additional ratings available upon request.

