

MI-015

15 kV METERING UNIT



OUTDOOR
60 Hertz

ARTECHE MI series metering units are outdoor, three-phase, pad-mounted cabinets.

The cabinet is made of #12 caliber stainless steel lamination (2.7 mm or 0.105 in) with Munsell Green #7GY 3.29/1.5 powder finish. The doors are pad-lockable with a three point latch and a penta-head bolt.

MI series incorporate 3 combined transformers. Their core is encapsulated with Type B epoxy resin which provides excellent internal dielectric properties and mechanical strength, ensuring a long mechanical and electrical life. The transformer is maintenance free.

The entire surface of the transformer is coated with a conductive layer that is intended to be solidly grounded when energized. This allows for compact mounting inside switchgear or enclosures.

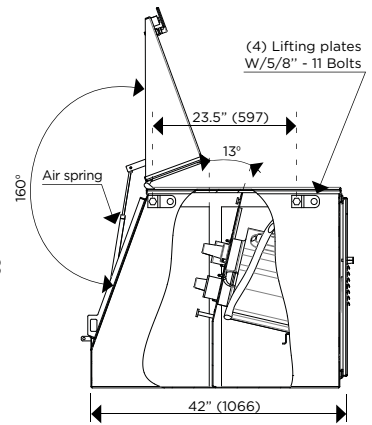
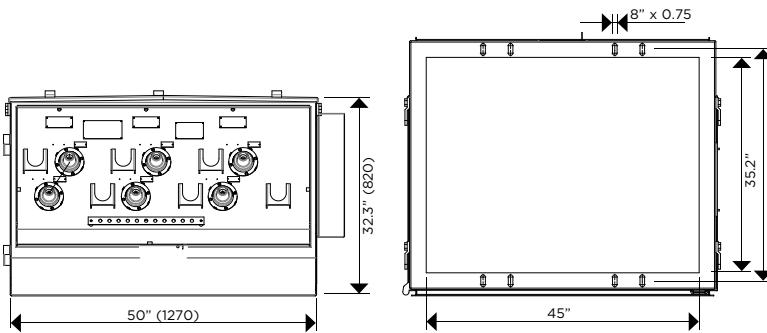
The core is built with high permeability grain oriented silicon steel laminations for low losses. The windings are copper wire with copper plate double isolation. The concentric distribution of the coils prevents magnetic flux leakage, achieving greater accuracy and higher capacity to withstand mechanical stresses in adverse operating conditions.

Partial Discharge measurements exceed the IEEE, CAN/CSA and IEC requirements.

The primary bushing well connections are IEEE 386 compliant, rated 200 A loadbreak or 600 A non load-break. The secondary terminals are pre-wired to a 10 position test switch and 9S meter socket in standard red/black colors.

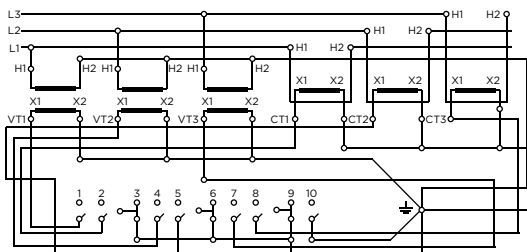
Mechanical characteristics

Material	Colors	Weight (lbs.)
Stainless steel	Munsell Green	992



Drawing number: 4287010

MARKING



Approximate dimensions in inches (mm).

MI-015

15 kV METERING UNIT

Electrical characteristics

Code	Current Ratio (Primary: Secondary)	Continuous Thermal Current Rating Factor @ 30°C	Short-time Thermal Current (kA/1s)	Short-time Mechanical Current (kA _{peak})	IEEE Metering Accuracy [Current Transformer]	IEEE Metering Accuracy [Voltage Transformer]	Nominal Voltage System (kV)	BIL (kV)	Power-Frequency Withstand Voltage (1 min)	
									Primary & Secondary (kV _{rms})	Secondary Winding (kV _{rms})
770574011	5:5	2.0	0.5	1.25	0.3 B-0.5	0.3 W,X,M,Y/1.2Z	15	110	34	2.5
770574021	10:5	2.0	1	2.5	0.3 B-0.5	0.3 W,X,M,Y/1.2Z	15	110	34	2.5
770574031	15:5	2.0	1.5	3.75	0.3 B-0.5	0.3 W,X,M,Y/1.2Z	15	110	34	2.5
770574041	20:5	2.0	2	5	0.3 B-0.5	0.3 W,X,M,Y/1.2Z	15	110	34	2.5
770574051	25:5	2.0	2.5	6.25	0.3 B-0.5	0.3 W,X,M,Y/1.2Z	15	110	34	2.5
770574061	30:5	2.0	3	7.5	0.3 B-0.5	0.3 W,X,M,Y/1.2Z	15	110	34	2.5
770574081	40:5	2.0	4	10	0.3 B-0.5	0.3 W,X,M,Y/1.2Z	15	110	34	2.5
770574101	50:5	2.0	5	12.5	0.3 B-0.5	0.3 W,X,M,Y/1.2Z	15	110	34	2.5
770574151	75:5	2.0	7.5	18.75	0.3 B-0.5	0.3 W,X,M,Y/1.2Z	15	110	34	2.5
770574201	100:5	2.0	10	25	0.3 B-0.5	0.3 W,X,M,Y/1.2Z	15	110	34	2.5
770575301	150:5	1.33	10	25	0.3 B-0.5	0.3 W,X,M,Y/1.2Z	15	110	34	2.5
770575401	200:5	1.0	10	25	0.3 B-0.5	0.3 W,X,M,Y/1.2Z	15	110	34	2.5
770571131	300:5	1.5	30	75	0.3 B-0.5	0.3 W,X,M,Y/1.2Z	15	110	34	2.5
770571141	400:5	1.5	40	100	0.3 B-0.5	0.3 W,X,M,Y/1.2Z	15	110	34	2.5
770571161	600:5	1.0	60	150	0.3 B-0.5	0.3 W,X,M,Y/1.2Z	15	110	34	2.5

High Accuracy Extended Range 1% nominal current to Rating Factor

770571101	100:5	2.0	10	25	0.15 B-0.5	0.3 W,X,M,Y/1.2Z	15	110	34	2.5
770571121	200:5	2.0	20	50	0.15 B-0.5	0.3 W,X,M,Y/1.2Z	15	110	34	2.5
770571151	600:5	1.0	48	120	0.15 B-0.5	0.3 W,X,M,Y/1.2Z	15	110	34	2.5

Additional ratings available upon request.

Voltage Ratings

VT Ratio	Primary (V)	Secondary (V)	Thermal Burden (VA)	Continuous Rated Voltage Factor (Un)	Rated Voltage Factor 30s (Un)
60:1	7200/12470GY	120	750	1.1	1.25

Additional VT ratios are available. Please contact Arteche for details.

Notes:

.....

.....

.....

.....

.....

.....

.....

.....

.....

.....

.....