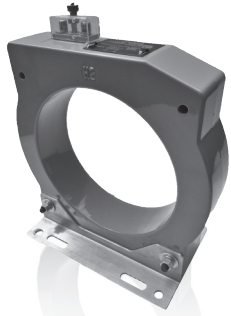


IRH-12

600 V CURRENT TRANSFORMER



ARTECHE IRH series are dry type indoor/outdoor service current transformers. The core is encapsulated with epoxy resin which provides excellent internal dielectric properties and mechanical strength, ensuring a long mechanical and electrical life. The transformer is maintenance free.

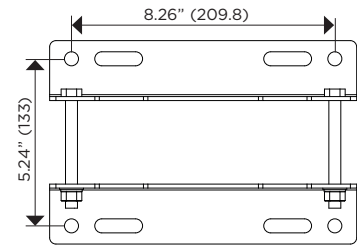
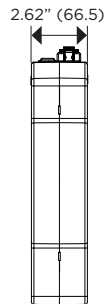
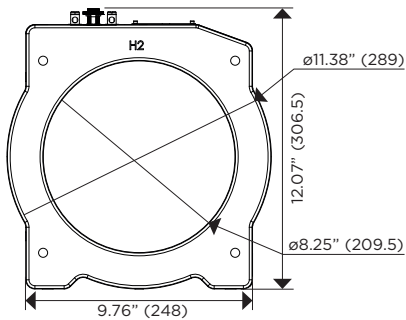
The core is built with high permeability grain oriented silicon steel laminations for low losses. The windings are copper wire with copper plate double isolation. The concentric distribution of the coils prevents magnetic flux leakage, achieving greater accuracy and higher capacity to withstand mechanical stresses in adverse operating conditions.



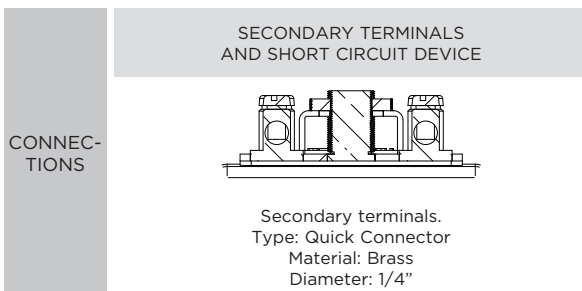
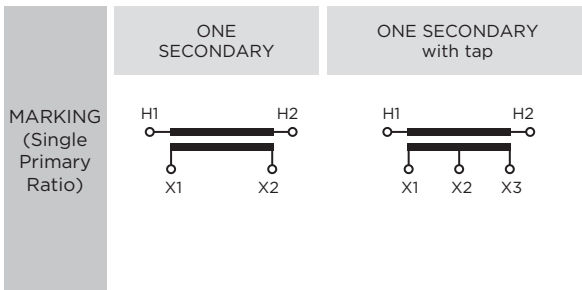
INDOOR-
OUTDOOR
60 Hertz

Mechanical characteristics

| Insulation Material | Color | Weight (lbs.) |
|---------------------|-------|---------------|
| Resin | Blue | 19 |



Drawing number: 4287275



Approximate dimensions in inches (mm).

