

CPE-25

25 kV CURRENT TRANSFORMER



ARTECHE CPE series are dry type outdoor service current transformers. The core is encapsulated with Type B epoxy resin which provides excellent internal dielectric properties and mechanical strength. The external layer of Cycloaliphatic Epoxy Resin (CEP) provides resistance to ultraviolet rays and the effects of tracking and erosion on the exterior of the transformer ensuring a long mechanical and electrical life. The transformer is maintenance free.

The external layer can be manufactured with Hydrophobic Cycloaliphatic Epoxy Resin (HCEP) which improves service life expectancy due to its improved tracking and erosion resistance. HCEP additionally increases the transformer's weatherability and offers better performance in heavily polluted environments.

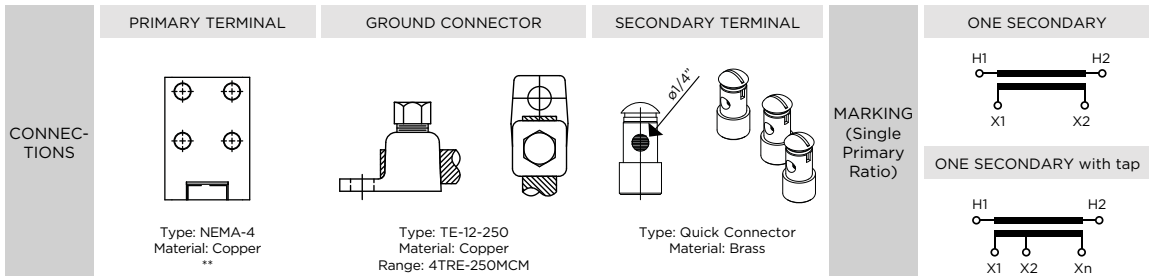
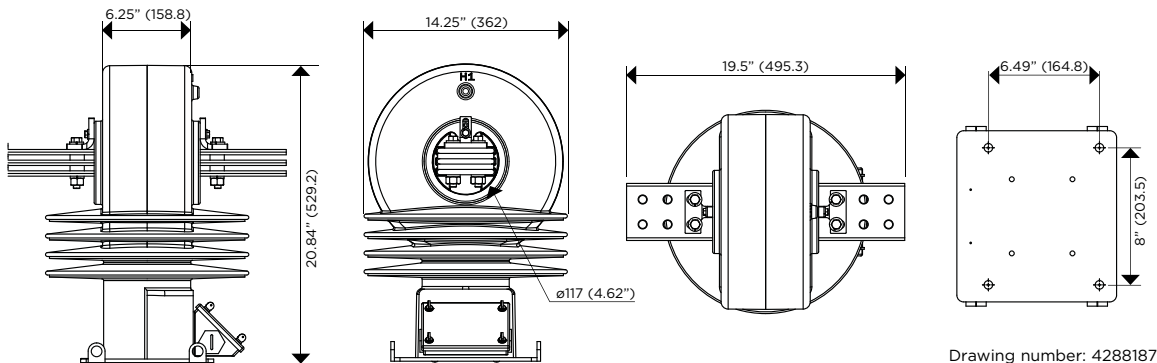
The core is built with high permeability grain oriented silicon steel laminations for low losses. The windings are copper wire with copper plate double isolation. The concentric distribution of the coils prevents magnetic flux leakage, achieving greater accuracy and higher capacity to withstand mechanical stresses in adverse operating conditions.

OUTDOOR
60 Hertz

Partial Discharge measurements exceed the IEEE, CAN/CSA and IEC requirements.

Mechanical characteristics

Insulation Material	Colors	Weight (lbs.)	Creepage distance (in)	Strike distance (in)
Resin	Gray*	178.5	35.43	8.93



Approximate dimensions in inches (mm).
* Brown color available upon request.

CPE-25

25 kV CURRENT TRANSFORMER

Electrical characteristics											
Code (CEP)	Code (HCEP)	Current Ratio (Primary: Secondary) (A)	Continuous Thermal Current Rating Factor @ 30°C	Short-time Thermal Current (kA/1s)	Short-time Mechanical Current (kA _{peak})	IEEE Metering Accuracy	Relay Accuracy	Nominal Voltage System (kV)	BIL (kV)	Power-Frequency Withstand Voltage (1 min)	
										Primary & Secondary (kV _{rms})	Secondary Winding (kV _{rms})
756510001	756510052-H	200:5	3.0	16	43.2	0.3 B0.2	C50	25	150	50	2.5
756510002	756510053-H	300:5	2.0	24	64.8	0.3B0.5	C100	25	150	50	2.5
756510003	756510054-H	400:5	2.0	32	86.4	0.3B0.9	C100	25	150	50	2.5
756510004	756510055-H	500:5	2.0	40	108	0.3B1.8	C150	25	150	50	2.5
756510005	756510056-H	600:5	2.0	48	129.6	0.3B1.8	C200	25	150	50	2.5
756510006	756510057-H	800:5	2.0	64	172.8	0.3B1.8	C200	25	150	50	2.5
756510007	756510058-H	1000:5	2.0	80	216	0.3B1.8	C250	25	150	50	2.5
756510008	756510059-H	1200:5	2.0	96	259.2	0.3B1.8	C250	25	150	50	2.5
756510009	756510060-H	1500:5	2.0	120	324	0.3B1.8	C300	25	150	50	2.5
756510010	756510061-H	2000:5	2.0	160	432	0.3B1.8	C400	25	150	50	2.5
756510011	756510062-H	2500:5	2.0	200	540	0.3B1.8	C400	25	150	50	2.5
756510012	756510063-H	3000:5	2.0	240	648	0.3B1.8	C400	25	150	50	2.5
756510013	756510064-H	4000:5	1.5	320	864	0.3B1.8	C800	25	150	50	2.5
756510014	756510065-H	5000:5	1.5	400	1080	0.3B1.8	C800	25	150	50	2.5
756510015	756510066-H	200/400:5	3.0/3.0	32	86.4	0.3B0.2/B0.9	C50/C100	25	150	50	2.5
756510016	756510067-H	300/600:5	2.0/2.0	48	129.6	0.3B0.5/B1.8	C100/C200	25	150	50	2.5
756510017	756510068-H	400/800:5	2.0/2.0	64	172.8	0.3B0.9/B1.8	C100/C200	25	150	50	2.5
756510018	756510069-H	500/1000:5	2.0/2.0	80	216	0.3B0.9/B1.8	C100/C200	25	150	50	2.5
756510019	756510070-H	600/1200:5	2.0/2.0	96	259.2	0.3B1.8/B1.8	C150/C300	25	150	50	2.5
756510020	756510071-H	750/1500:5	2.0/2.0	120	324	0.3B1.8/B1.8	C200/C400	25	150	50	2.5
756510021	756510072-H	800/1600:5	2.0/2.0	128	345.6	0.3B1.8/B1.8	C200/C400	25	150	50	2.5
756510022	756510073-H	1000/2000:5	2.0/2.0	160	432	0.3B1.8/B1.8	C200/C400	25	150	50	2.5
756510023	756510074-H	1500/3000:5	2.0/2.0	240	648	0.3B1.8/B1.8	C300/C600	25	150	50	2.5
756510024	756510075-H	2000/4000:5	2.0/1.5	320	864	0.3B1.8/B1.8	C400/C800	25	150	50	2.5
756510025	756510076-H	2500/5000:5	2.0/1.5	400	1080	0.3B1.8/B1.8	C400/C800	25	150	50	2.5
High Accuracy Extended Range 5% nominal current to Rating Factor											
756510029	756510080-H	200:5	4.0	16	43.2	0.15S B0.1/0.3B0.2	--	25	150	50	2.5
756510030	756510081-H	300:5	4.0	24	64.8	0.15S B0.5/0.3B0.9	--	25	150	50	2.5
756510031	756510082-H	400:5	4.0	32	86.4	0.15S B0.9/0.3B1.8	--	25	150	50	2.5
756510032	756510083-H	500:5	4.0	40	108	0.15S B0.9/0.3B1.8	--	25	150	50	2.5
756510033	756510084-H	600:5	4.0	48	129.6	0.15S B0.9/0.3B1.8	--	25	150	50	2.5
756510034	756510085-H	800:5	4.0	64	172.8	0.15S B0.9/0.3B1.8	--	25	150	50	2.5
756510035	756510086-H	1000:5	4.0	80	216	0.15S B1.8/0.15B1.8	--	25	150	50	2.5
756510036	756510087-H	1200:5	4.0	96	259.2	0.15S B1.8/0.15B1.8	--	25	150	50	2.5
756510037	756510088-H	1500:5	3.0	120	324	0.15S B1.8/0.15B1.8	--	25	150	50	2.5
756510038	756510089-H	2000:5	2.0	160	432	0.15S B1.8/0.15B1.8	--	25	150	50	2.5
High Accuracy Extended Range 1% nominal current to Rating Factor											
756510042	756510093-H	500:5	4.0	40	108	0.15 B0.9/0.3B1.8	--	25	150	50	2.5
756510043	756510094-H	600:5	4.0	48	129.6	0.15 B0.9/0.3B1.8	--	25	150	50	2.5
756510044	756510095-H	800:5	4.0	64	172.8	0.15 B1.8/0.3B1.8	--	25	150	50	2.5
756510045	756510096-H	1000:5	4.0	80	216	0.15 B1.8/0.3B1.8	--	25	150	50	2.5
756510046	756510097-H	1200:5	4.0	96	259.2	0.15 B1.8/0.3B1.8	--	25	150	50	2.5
756510047	756510098-H	1500:5	3.0	120	324	0.15 B1.8/0.3B1.8	--	25	150	50	2.5
756510048	756510099-H	2000:5	2.0	160	432	0.15 B1.8/0.3B1.8	--	25	150	50	2.5