

# CE-034

## 34.5 kV CURRENT TRANSFORMER



**OUTDOOR  
60 Hertz**

ARTECHE CE series are dry type outdoor service top-core current transformers. The core is encapsulated with Type B epoxy resin which provides excellent internal dielectric properties and mechanical strength. The external layer of Cycloaliphatic Epoxy Resin (CEP) provides resistance to ultraviolet rays and the effects of tracking and erosion on the exterior of the transformer ensuring a long mechanical and electrical life. The transformer is maintenance free.

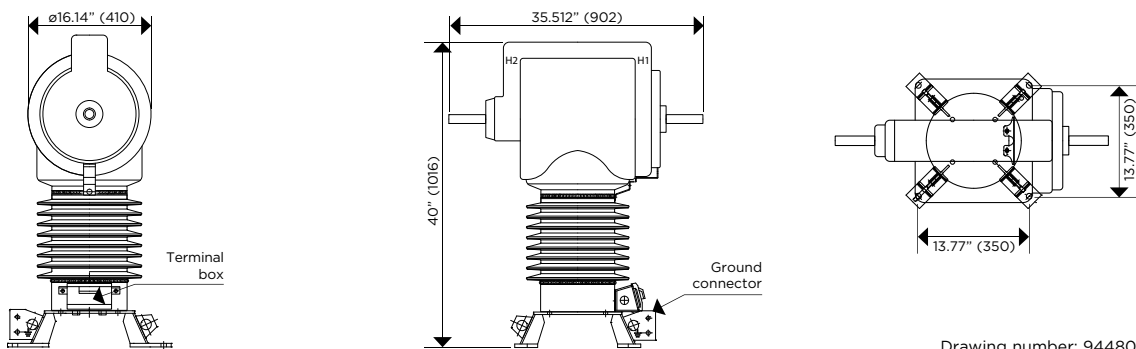
The external layer can be manufactured with Hydrophobic Cycloaliphatic Epoxy Resin (HCEP) which improves service life expectancy due to its improved tracking and erosion resistance. HCEP additionally increases the transformer's weatherability and offers better performance in heavily polluted environments.

The core is built with high permeability grain oriented silicon steel laminations for low losses. The windings are copper wire with copper plate double isolation. The concentric distribution of the coils prevents magnetic flux leakage, achieving greater accuracy and higher capacity to withstand mechanical stresses in adverse operating conditions. The cores and windings are located in the upper part of the transformer. This head is coated with a conductive layer, which provides an adequate electric field control.

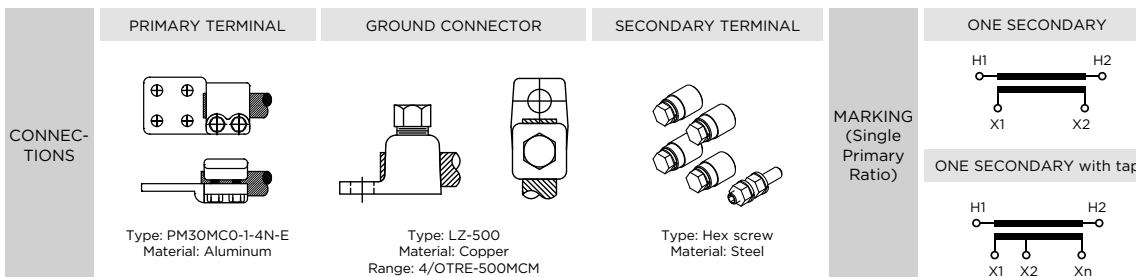
Partial Discharge measurements exceed the IEEE, CAN/CSA and IEC requirements.

### Mechanical characteristics

Insulation Material	Colors	Weight (lbs.)	Creepage distance (in)	Strike distance (in)
Resin	Gray*	550	37.6	11



Drawing number: 9448098



Approximate dimensions in inches (mm).  
\* Brown color available upon request.

# CE-034

## 34.5 kV CURRENT TRANSFORMER

### Electrical characteristics

Code (CEP)	Code (HCEP)	Current Ratio (Primary: Secondary) (A)	Continuous Thermal Current Rating Factor @ 30°C	Short-time Thermal Current (kA/1s)	Short-time Mechanical Current (kA <sub>peak</sub> )	IEEE Metering Accuracy	Relay Accuracy	Nominal Voltage System (kV)	BIL (kV)	Power-Frequency Withstand Voltage (1 min)	
										Primary & Secondary (kV <sub>rms</sub> )	Secondary Winding (kV <sub>rms</sub> )
756151001	756150000-H	5:5	2.0	0.5	0.95	0.3B-1.8	T-400	34.5	200	70	2.5
756151002	756150001-H	10:5	2.0	1	1.9	0.3B-1.8	T-400	34.5	200	70	2.5
756151003	756150002-H	15:5	2.0	1.5	2.85	0.3B-1.8	T-400	34.5	200	70	2.5
756151004	756150003-H	20:5	2.0	2	3.8	0.3B-1.8	T-400	34.5	200	70	2.5
756151005	756150004-H	25:5	2.0	2.5	4.75	0.3B-1.8	T-400	34.5	200	70	2.5
756151006	756150005-H	30:5	2.0	3	5.7	0.3B-1.8	T-400	34.5	200	70	2.5
756151008	756150006-H	40:5	2.0	4	7.6	0.3B-1.8	T-400	34.5	200	70	2.5
756151010	756150007-H	50:5	2.0	5	9.5	0.3B-1.8	T-400	34.5	200	70	2.5
756151015	756150008-H	75:5	2.0	6	11.4	0.3B-1.8	T-400	34.5	200	70	2.5
756151020	756150009-H	100:5	2.0	7.5	14.25	0.3B-1.8	T-400	34.5	200	70	2.5
756151030	756150010-H	150:5	2.0	10	19	0.3B-1.8	T-400	34.5	200	70	2.5
756151040	756150011-H	200:5	2.0	20	38	0.3B-1.8	T-400	34.5	200	70	2.5
756151060	756150012-H	300:5	2.0	30	57	0.3B-1.8	T-400	34.5	200	70	2.5
756151080	756150013-H	400:5	2.0	40	76	0.3B-1.8	T-400	34.5	200	70	2.5
756151120	756150014-H	600:5	2.0	50	9.5	0.3B-1.8	T-400	34.5	200	70	2.5
756151160	756150015-H	800:5	2.0	60	86.7	0.3B-1.8	T-400	34.5	200	70	2.5
756151200	756150016-H	1000:5	1.5	60	114	0.3B-1.8	T-400	34.5	200	70	2.5
756151240	756150017-H	1200:5	1.5	75	142.5	0.3B-1.8	T-400	34.5	200	70	2.5
756151400	756150018-H	2000:5	1.2	90	171	0.3B-1.8	T-800	34.5	200	70	2.5
756152001	756150030-H	10/20:5	3.0/2.0	2	3.8	0.3B-1.8/0.3B1.8	T200/T400	34.5	200	70	2.5
756152005	756150031-H	25/50:5	3.0/2.0	5	9.5	0.3B-1.8/0.3B1.8	T200/T400	34.5	200	70	2.5
756152006	756150032-H	30/60:5	3.0/2.0	6	11.4	0.3B-1.8/0.3B1.8	T200/T400	34.5	200	70	2.5
756152010	756150033-H	50/100:5	3.0/2.0	10	19	0.3B-1.8/0.3B1.8	T200/T400	34.5	200	70	2.5
756152015	756150034-H	75/150:5	3.0/2.0	15	28.5	0.3B-1.8/0.3B1.8	T200/T400	34.5	200	70	2.5
756152020	756150035-H	100/200:5	3.0/2.0	20	38	0.3B-1.8/0.3B1.8	T200/T400	34.5	200	70	2.5
756152030	756150036-H	150/300:5	3.0/2.0	30	57	0.3B-1.8/0.3B1.8	T200/T400	34.5	200	70	2.5
756152040	756150037-H	200/400:5	3.0/2.0	40	76	0.3B-1.8/0.3B1.8	T200/T400	34.5	200	70	2.5
756152060	756150038-H	300/600:5	3.0/2.0	60	86.7	0.3B-1.8/0.3B1.8	T200/T400	34.5	200	70	2.5
756152080	756150039-H	400/800:5	3.0/2.0	60	114	0.3B-1.8/0.3B1.8	T200/T400	34.5	200	70	2.5
756152100	756150040-H	500/1000:5	3.0/1.5	75	142.5	0.3B-1.8/0.3B1.8	T200/T400	34.5	200	70	2.5
756152120	756150041-H	600/1200:5	3.0/1.5	90	171	0.3B-1.8/0.3B1.8	T200/T400	34.5	200	70	2.5
756152150	756150042-H	750/1500:5	3.0/1.5	90	171	0.3B-1.8/0.3B1.8	T200/T400	34.5	200	70	2.5
756152200	756150043-H	1000/2000:5	2.0/1.5	90	171	0.3B-1.8/0.3B1.8	T400/T800	34.5	200	70	2.5
756152300	756150044-H	1500/3000:5	2.0/1.0	90	171	0.3B-1.8/0.3B1.8	T400/T800	34.5	200	70	2.5

Additional ratings available upon request.