

AGPE-12

8.7 kV CURRENT TRANSFORMER



**INDOOR
60 Hertz**

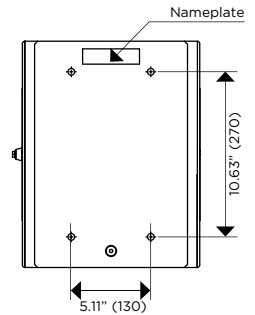
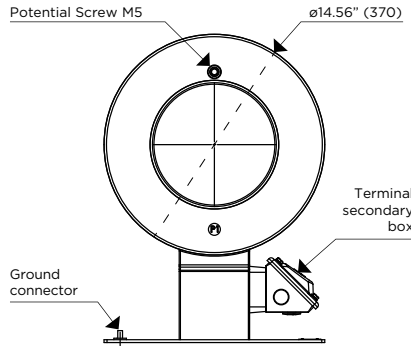
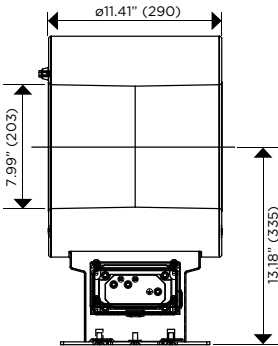
ARTECHE AG Series are dry type indoor service current transformers. The core is encapsulated with Type B epoxy resin which provides excellent internal dielectric properties and mechanical strength, ensuring a long mechanical and electrical life. The transformer is maintenance free.

The core is built with high permeability grain oriented silicon steel laminations for low losses. The windings are copper wire with copper plate double isolation. The concentric distribution of the coils prevents magnetic flux leakage, achieving greater accuracy and higher capacity to withstand mechanical stresses in adverse operating conditions.

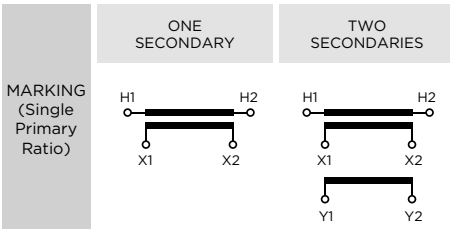
Partial Discharge measurements exceed the IEEE, CAN/CSA and IEC requirements.

Mechanical characteristics

Insulation Material	Colors	Weight (lbs.)
Resin	Gray*	165.3



Drawing number: 4286137



Approximate dimensions in inches (mm).
* Brown color available upon request.

AGPE-12

8.7 kV CURRENT TRANSFORMER

Electrical characteristics

Code	Current Ratio (Primary: Secondary) (A)	Continuous Thermal Current Rating Factor @ 30°C	Short- time Thermal Current (kA/1s)	Short- time Mechanical Current (kA _{peak})	IEEE Metering Accuracy	Relay Accuracy	Nominal Voltage System (kV)	BIL (kV)	Power-Frequency Withstand Voltage (1 min)	
									Primary & Secondary (kV _{rms})	Secondary Winding (kV _{rms})
750231400	2000:5	1.2	63	163.8	0.3 B-1.8		8.7	75	26	2.5
750232400	2000:5	1.2	63	163.8		C-400	8.7	75	26	2.5
750231600	3000:5	1.2	63	163.8	0.3 B-1.8		8.7	75	26	2.5
750232600	3000:5	1.2	63	163.8		C-400	8.7	75	26	2.5
750233400	2000:5	1.2	63	163.8	0.3 B-1.8	C-400	8.7	75	26	2.5
750233600	3000:5	1.2	63	163.8	0.3 B-1.8	C-400	8.7	75	26	2.5
750234400	2000:5	1.2	63	163.8	0.3 B-1.8	C-200, C-200	8.7	75	26	2.5
750234600	3000:5	1.2	63	163.8	0.3 B-1.8	C-200, C-200	8.7	75	26	2.5

Additional ratings available upon request.

Notes:

.....

.....

.....

.....

.....

.....

.....

.....

.....

.....

.....

.....

.....

.....

.....

.....

.....

.....

.....

.....

.....

.....

.....

.....

.....

.....