

# UENS-36

## 34.5 kV VOLTAGE TRANSFORMER



**INDOOR  
60 Hertz**

ARTECHE UENS series are dry type indoor service voltage transformers. The core is encapsulated with Type B epoxy resin which provides excellent internal dielectric properties and mechanical strength, ensuring a long mechanical and electrical life. The transformer is maintenance free.

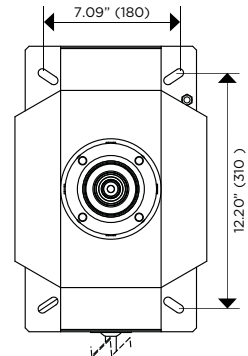
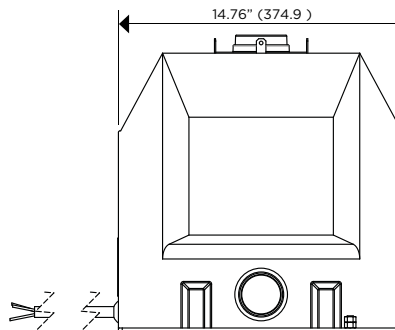
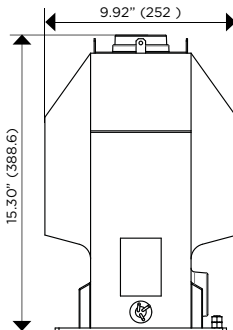
The core is built with high permeability grain oriented silicon steel laminations for low losses. The windings are copper wire with copper plate double isolation. The concentric distribution of the coils prevents magnetic flux leakage, achieving greater accuracy and higher capacity to withstand mechanical stresses in adverse operating conditions.

Partial Discharge measurements exceed the IEEE, CAN/CSA and IEC requirements.

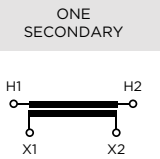
The new design is a voltage transformer for 19 feet (about 6 meter) intermittent submersible application with metallic coating. The model is cast in epoxy resin and is strongly insulated to environment. The UENS (single phase) models are metering units and rated for use up to 34.5kV submersible operation up to 200kV BIL. The medium voltage terminals are bushing wells compatible with IEEE 386 interfaces.

### Mechanical characteristics

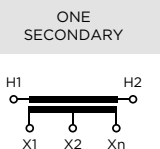
Insulation Material	Colors	Weight (lbs.)
Resin	Gray*	133



MARKING  
(Single  
Primary  
Ratio)



MARKING  
(Double  
Ratio)



Drawing number: 4288217

Approximate dimensions in inches (mm).  
\* Brown color available upon request.

# UENS-36

## 34.5 kV VOLTAGE TRANSFORMER

### Electrical characteristics

Code	Ratio	Primary (V)	Secondary (V)	IEEE Metering Accuracy	Continuous Rated Voltage Factor (Un)	Rated Voltage Factor 30 s (Un)	Thermal Burden (VA)	Nominal Voltage System (kV)	BIL (kV)	Power-Frequency Withstand Voltage (1 min)	
										Primary & Secondary (kV <sub>rms</sub> )	Secondary Winding (kV <sub>rms</sub> )
<b>Submersible style</b>											
754150001	175:1	20125/34500GY	115	0.3 W,X,M,Y	1.1	1.25	1000	34.5	200	70	2.5
754150002	200:1	24000/24000GY	120	0.3 W,X,M,Y	1.1	1.25	1000	34.5	200	70	2.5
754150003	207.5:1	24900/24900GY	120	0.3 W,X,M,Y	1.1	1.25	1000	34.5	200	70	2.5
754150004	208.33:1	25000/25000GY	120	0.3 W,X,M,Y	1.1	1.25	1000	34.5	200	70	2.5
754150005	220:1	26400/26400GY	120	0.3 W,X,M,Y	1.1	1.25	1000	34.5	200	70	2.5
754150006	240:1	27600/27600GY	115	0.3 W,X,M,Y	1.1	1.25	1000	34.5	200	70	2.5
754150007	240:1	28800/28800GY	120	0.3 W,X,M,Y	1.1	1.25	1000	34.5	200	70	2.5
754150008	300:1	34500/34500GY	115	0.3 W,X,M,Y	1.1	1.25	1000	34.5	200	70	2.5

Additional ratings available upon request.

Secondary terminals:

- 19' Submersible wire.

### Notes:

.....

.....

.....

.....

.....

.....

.....

.....

.....

.....

.....

.....

.....

.....

.....

.....

.....

.....

.....

.....

.....

.....