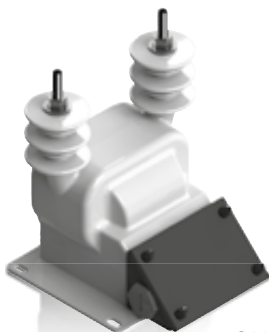


VRL-7

5 kV VOLTAGE TRANSFORMER



OUTDOOR
60 Hertz

ARTECHE UR/VR series are dry type outdoor service voltage transformers. The core is encapsulated with Type B epoxy resin which provides excellent internal dielectric properties and mechanical strength. The external layer of Cycloaliphatic Epoxy Resin (CEP) provides resistance to ultraviolet rays and the effects of tracking and erosion on the exterior of the transformer ensuring a long mechanical and electrical life. The transformer is maintenance free.

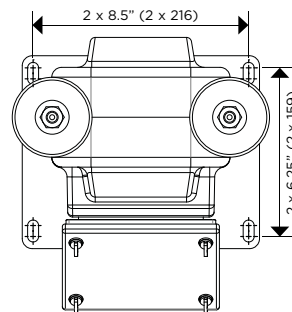
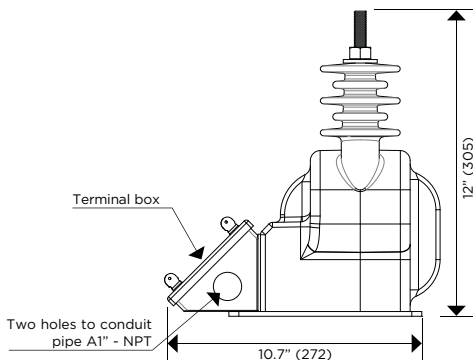
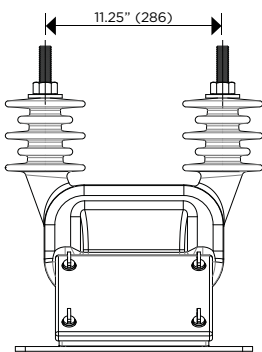
The external layer can be manufactured with Hydrophobic Cycloaliphatic Epoxy Resin (HCEP) which improves service life expectancy due to its improved tracking and erosion resistance. HCEP additionally increases the transformer's weatherability and offers better performance in heavily polluted environments.

The core is built with high permeability grain oriented silicon steel laminations for low losses. The windings are copper wire with copper plate double isolation. The concentric distribution of the coils prevents magnetic flux leakage, achieving greater accuracy and higher capacity to withstand mechanical stresses in adverse operating conditions.

Partial discharge measurements exceed IEEE C57.13 2008 requirements.

Mechanical characteristics

Insulation Material	Colors	Weight (lbs.)	Creepage distance (in)	Strike distance (in)
Resin	Gray *	40	15.8	3



Drawing number: 4287595

	PRIMARY TERMINAL	GROUND TERMINAL	SECONDARY TERMINAL
CONNECTIONS	<p>Type: TE-4T Material: Copper Range: 8SOL-4TRE</p>	<p>Type: TE-12-250 Material: Copper Range: 4TRE-250MCM</p>	<p>Type: Quick Connector Material: Brass</p>
MARKING (Single Primary Ratio)	<p>SINGLE SECONDARY</p> <p>FUSED: X1 --- Fuse: 16A --- H1 --- H2 --- X2</p> <p>UNFUSED: X1 --- H1 --- H2 --- X2</p>		

Approximate dimensions in inches (mm).
* Brown color available upon request.

VRL-7

5 kV VOLTAGE TRANSFORMER

Electrical characteristics

Code (CEP)	Code (HCEP)	Ratio	Primary (V)	Secondary (V)	IEEE Metering Accuracy	Continuous Rated Voltage Factor (Un)	Rated Voltage Factor 30 s (Un)	Thermal Burden (VA)	Highest Nominal Voltage System (kV)	BIL (kV)	Power-Frequency Withstand Voltage (1 min)	
											Primary & Secondary (kV _{rms})	Secondary Winding (kV _{rms})
With FUSE in the secondary box												
757091020	757090000-H	20:1	2400/4160Y	120	0.3 W,X,M,Y	1.1	1.5	1000	5	60	19	2.5
757091035	757090001-H	35:1	4200/4200Y	120	0.3 W,X,M,Y	1.1	1.5	1000	5	60	19	2.5
757091040	757090002-H	40:1	4800/4800Y	120	0.3 W,X,M,Y	1.1	1.5	1000	5	60	19	2.5
Without FUSE in the secondary box												
757090020	757090010-H	20:1	2400/4160Y	120	0.3 W,X,M,Y	1.1	1.5	1000	5	60	19	2.5
757090035	757090011-H	35:1	4200/4200Y	120	0.3 W,X,M,Y	1.1	1.5	1000	5	60	19	2.5
757090040	757090012-H	40:1	4800/4800Y	120	0.3 W,X,M,Y	1.1	1.5	1000	5	60	19	2.5

Additional ratings available upon request.

Notes:

.....

.....

.....

.....

.....

.....

.....

.....

.....

.....

.....

.....

.....

.....

.....

.....

.....

.....

.....

.....

.....

.....

.....

.....