

# VRN-24

## 25 kV VOLTAGE TRANSFORMER



**OUTDOOR  
60 Hertz**

ARTECHE UR/VR series are dry type outdoor service voltage transformers. The core is encapsulated with Type B epoxy resin which provides excellent internal dielectric properties and mechanical strength. The external layer of Cycloaliphatic Epoxy Resin (CEP) provides resistance to ultraviolet rays and the effects of tracking and erosion on the exterior of the transformer ensuring a long mechanical and electrical life. The transformer is maintenance free.

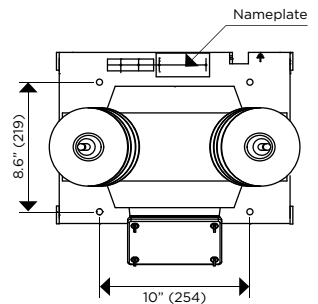
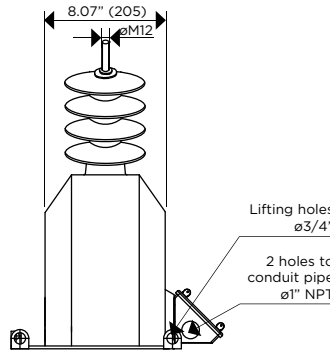
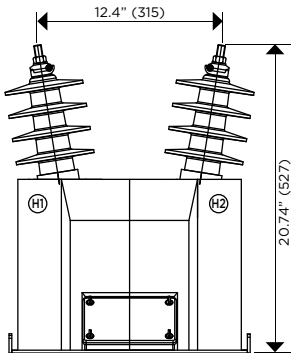
The external layer can be manufactured with Hydrophobic Cycloaliphatic Epoxy Resin (HCEP) which improves service life expectancy due to its improved tracking and erosion resistance. HCEP additionally increases the transformer's weatherability and offers better performance in heavily polluted environments.

The core is built with high permeability grain oriented silicon steel laminations for low losses. The windings are copper wire with copper plate double isolation. The concentric distribution of the coils prevents magnetic flux leakage, achieving greater accuracy and higher capacity to withstand mechanical stresses in adverse operating conditions.

Partial Discharge measurements exceed the IEEE, CAN/CSA and IEC requirements.

### Mechanical characteristics

Insulation Material	Colors	Weight (lbs.)	Creepage distance (in)	Strike distance (in)
Resin	Gray*	140	31.88	10.82



Drawing number:  
Fused: 4286577 | Unfused: 4286771

	PRIMARY TERMINAL	GROUND TERMINAL	SECONDARY TERMINAL
CONNECTIONS			
	Type: TE-4T Material: Copper Range: 8SOL-4TRE	Type: TE-12-250 Material: Copper Range: 4TRE-250MCM	Type: Quick Connector Material: Brass

	SINGLE SECONDARY	ONE SECONDARY WITH TAP
MARKING (Single Primary Ratio)		
	FUSED	FUSED
	UNFUSED	UNFUSED

Approximate dimensions in inches (mm).  
\* Brown color available upon request.

# VRN-24

## 25 kV VOLTAGE TRANSFORMER

### Electrical characteristics

Code (CEP)	Code (HCEP)	Ratio	Primary (V)	Secondary (V)	IEEE Metering Accuracy	Continuous Rated Voltage Factor (Un)	Rated Voltage Factor 30 s (Un)	Thermal Burden (VA)	Nominal Voltage System (kV)	BIL (kV)	Power-Frequency Withstand Voltage (1 min)	
											Primary & Secondary (kV <sub>rms</sub> )	Secondary Winding (kV <sub>rms</sub> )
<b>With FUSE in the secondary box</b>												
757201060	757200010-H	60:1	7200/12470Y	120	0.3 W,X,M,Y	1.1	1.25	1000	25	150	50	2.5
757203120	757200020-H	60/120:1	7200/12470Y & 14400/24940Y	120	0.3 W,X / 0.3W,X,M,Y	1.1	1.25	1000	25	150	50	2.5
757201100	757200011-H	100:1	12000/20780Y	120	0.3 W,X,M,Y	1.1	1.25	1000	25	150	50	2.5
757201110	757200012-H	110:1	13200/22860Y	120	0.3 W,X,M,Y	1.1	1.25	1000	25	150	50	2.5
757201120	757200013-H	120:1	14400/24940Y	120	0.3 W,X,M,Y	1.1	1.25	1000	25	150	50	2.5
757203200	757200021-H	120/200:1	14400/24250Y	120/72	0.3 W,X,M,Y / 0.3 W,X,M,Y	1.1	1.25	1000	25	150	50	2.5
757201150	757200014-H	150:1	18000/18000Y	120	0.3 W,X,M,Y	1.1	1.25	1000	25	150	50	2.5
757201200	757200015-H	200:1	24000 /24000Y	120	0.3 W,X,M,Y	1.1	1.25	1000	25	150	50	2.5
757209100	757200070-H	100:1	12000/20780Y	120	0.15 W,X	1.1	1.25	1000	25	150	50	2.5
757209110	757200071-H	110:1	13200/22860Y	120	0.15 W,X	1.1	1.25	1000	25	150	50	2.5
757209120	757200072-H	120:1	14400/24250Y	120	0.15 W,X	1.1	1.25	1000	25	150	50	2.5
757209150	757200073-H	150:1	18000/18000Y	120	0.15 W,X	1.1	1.25	1000	25	150	50	2.5
757209200	757200074-H	200:1	24000 /24000Y	120	0.15 W,X	1.1	1.25	1000	25	150	50	2.5
757205060	757200040-H	60:1	7200/12470Y	120	0.3 W,X,M,Y	1.1	1.25	1500	25	150	50	2.5
757206120	757200050-H	60/120:1	7200/12470Y & 14400/24940Y	120	0.3 W,X / 0.3W,X,M,Y	1.1	1.25	1500	25	150	50	2.5
757205100	757200041-H	100:1	12000/20780Y	120	0.3 W,X,M,Y	1.1	1.25	1500	25	150	50	2.5
757205110	757200042-H	110:1	13200/22860Y	120	0.3 W,X,M,Y	1.1	1.25	1500	25	150	50	2.5
757205120	757200043-H	120:1	14400/24940Y	120	0.3 W,X,M,Y	1.1	1.25	1500	25	150	50	2.5
757206200	757200051-H	120/200:1	14400/24250Y	120/72	0.3 W,X,M,Y / 0.3 W,X,M,Y	1.1	1.25	1500	25	150	50	2.5
757205150	757200044-H	150:1	18000/18000Y	120	0.3 W,X,M,Y	1.1	1.25	1500	25	150	50	2.5
757205200	757200045-H	200:1	24000 /24000Y	120	0.3 W,X,M,Y	1.1	1.25	1500	25	150	50	2.5
757206100	757200052-H	100:1	12000/20780Y	120	0.15 W,X	1.1	1.25	1500	25	150	50	2.5
757206110	757200053-H	110:1	13200/22860Y	120	0.15 W,X	1.1	1.25	1500	25	150	50	2.5
757206150	757200054-H	150:1	18000/18000Y	120	0.15 W,X	1.1	1.25	1500	25	150	50	2.5
<b>Without FUSE in the secondary box</b>												
757204060	757200030-H	60:1	7200/12470Y	120	0.3 W,X,M,Y	1.1	1.25	1000	25	150	50	2.5
757204100	757200031-H	100:1	12000/20780Y	120	0.3 W,X,M,Y	1.1	1.25	1000	25	150	50	2.5
757204110	757200032-H	110:1	13200/22860Y	120	0.3 W,X,M,Y	1.1	1.25	1000	25	150	50	2.5
757204120	757200033-H	120:1	14400/24940Y	120	0.3 W,X,M,Y	1.1	1.25	1000	25	150	50	2.5
757204150	757200034-H	150:1	18000/18000Y	120	0.3 W,X,M,Y	1.1	1.25	1000	25	150	50	2.5
757204200	757200035-H	200:1	24000/24000Y	120	0.3 W,X,M,Y	1.1	1.25	1000	25	150	50	2.5
757200060	757200000-H	60:1	7200/12470Y	120	0.3 W,X,M,Y	1.1	1.25	1500	25	150	50	2.5
757200100	757200001-H	100:1	12000/20780Y	120	0.3 W,X,M,Y	1.1	1.25	1500	25	150	50	2.5
757200110	757200002-H	110:1	13200/22860Y	120	0.3 W,X,M,Y	1.1	1.25	1500	25	150	50	2.5
757200120	757200003-H	120:1	14400/24940Y	120	0.3 W,X,M,Y	1.1	1.25	1500	25	150	50	2.5
757200150	757200004-H	150:1	18000/18000Y	120	0.3 W,X,M,Y	1.1	1.25	1500	25	150	50	2.5
757200200	757200005-H	200:1	24000/24000Y	120	0.3 W,X,M,Y	1.1	1.25	1500	25	150	50	2.5

Additional ratings available upon request.