

# VEN-36

## 34.5 kV VOLTAGE TRANSFORMER



INDOOR  
60 Hertz

ARTECHE VENS series are dry type indoor service voltage transformers. The core is encapsulated with Type B epoxy resin which provides excellent internal dielectric properties and mechanical strength, ensuring a long mechanical and electrical life. The transformer is maintenance free.

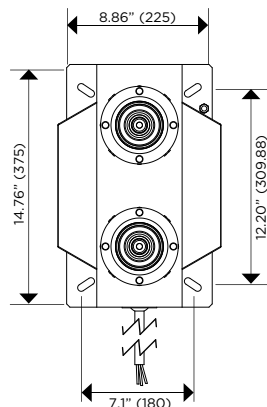
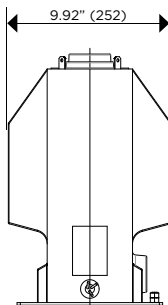
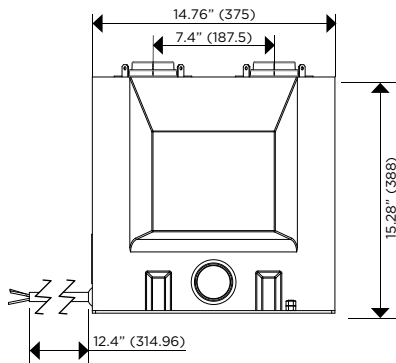
The core is built with high permeability grain oriented silicon steel laminations for low losses. The windings are copper wire with copper plate double isolation. The concentric distribution of the coils prevents magnetic flux leakage, achieving greater accuracy and higher capacity to withstand mechanical stresses in adverse operating conditions.

Partial Discharge measurements exceed the IEEE, CAN/CSA and IEC requirements.

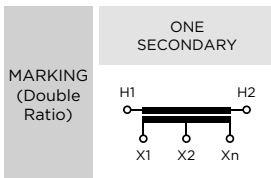
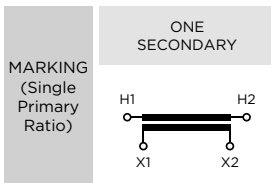
The new design is a voltage transformer for 19 feet (about 6 meter) intermittent submersible application with metallic coating. The model is cast in epoxy resin and is strongly insulated to environment. The VEN-36 (two phase) models are metering units and rated for use up to 34.5kV submersible operation up to 200kV BIL. The medium voltage terminals are bushing wells compatible with IEEE 386 interfaces.

### Mechanical characteristics

Insulation Material	Colors	Weight (lbs.)
Resin	Gray*	140



Drawing number: 4288303



Approximate dimensions in inches (mm).  
\* Brown color available upon request.

# VENNS-36

## 34.5 kV VOLTAGE TRANSFORMER

### Electrical characteristics

Code	Ratio	Primary (V)	Secondary (V)	IEEE Metering Accuracy	Continuous Rated Voltage Factor (Un)	Rated Voltage Factor 30 s (Un)	Thermal Burden (VA)	Nominal Voltage System (kV)	BIL (kV)	Power-Frequency Withstand Voltage (1 min)	
										Primary & Secondary (kV <sub>rms</sub> )	Secondary Winding (kV <sub>rms</sub> )
<b>Submersible style</b>											
754140001	150:1	18000/18000Y	120	0.3 W,X,M,Y	1.1	1.25	1000	34.5	200	70	2.5
754140002	175:1	20125/34500Y	115	0.3 W,X,M,Y	1.1	1.25	1000	34.5	200	70	2.5
754140003	200:1	2400/2400Y	120	0.3 W,X,M,Y	1.1	1.25	1000	34.5	200	70	2.5
754140004	220:1	26400/26400Y	120	0.3 W,X,M,Y	1.1	1.25	1000	34.5	200	70	2.5
754140005	230:1	27600/27600Y	120	0.3 W,X,M,Y	1.1	1.25	1000	34.5	200	70	2.5
754140006	240:1	27600/27600Y	115	0.3 W,X,M,Y	1.1	1.25	1000	34.5	200	70	2.5
754140007	287.5:1	24500/34500Y	120	0.3 W,X,M,Y	1.1	1.25	1000	34.5	200	70	2.5
754140008	300:1	34500/34500Y	115	0.3 W,X,M,Y	1.1	1.25	1000	34.5	200	70	2.5
754140009	313.63:1	34500/34500Y	110	0.3 W,X,M,Y	1.1	1.25	1000	34.5	200	70	2.5

Additional ratings available upon request.

Secondary terminals:

- 19' Submersible wire.

Notes:

.....

.....

.....

.....

.....

.....

.....

.....

.....

.....

.....

.....

.....

.....

.....

.....

.....

.....

.....

.....

.....

.....

.....