

# VEN-17

## 15 kV VOLTAGE TRANSFORMER



INDOOR  
60 Hertz

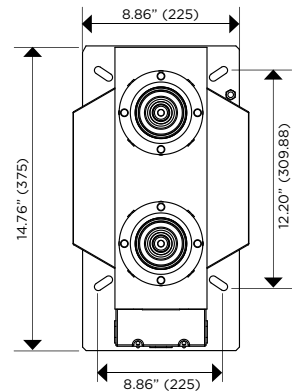
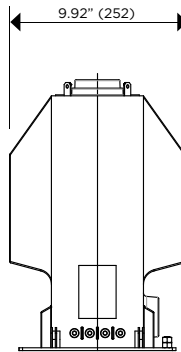
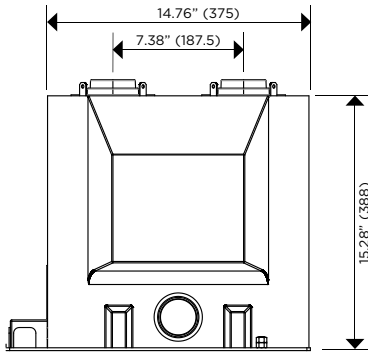
ARTECHE VEN series are dry type indoor service voltage transformers. The entire surface of the transformer is coated with a conductive layer that is intended to be solidly grounded when energized. The core is encapsulated with Type B epoxy resin which provides excellent internal dielectric properties and mechanical strength, ensuring a long mechanical and electrical life. The transformer is maintenance free.

The core is built with high permeability grain oriented silicon steel laminations for low losses. The windings are copper wire with copper plate double isolation. The concentric distribution of the coils prevents magnetic flux leakage, achieving greater accuracy and higher capacity to withstand mechanical stresses in adverse operating conditions.

Partial Discharge measurements exceed the IEEE, CAN/CSA and IEC requirements.

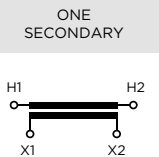
### Mechanical characteristics

Insulation Material	Colors	Weight (lbs.)
Resin	Gray*	140

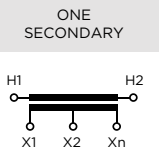


Drawing number: 4288298

MARKING  
(Single  
Primary  
Ratio)



MARKING  
(Double  
Ratio)



Approximate dimensions in inches (mm).  
\* Brown color available upon request.

# VEN-17

## 15 kV VOLTAGE TRANSFORMER

Electrical characteristics					Continuous Rated Voltage Factor (Un)	Rated Voltage Factor 30 s (Un)	Thermal Burden (VA)	Nominal Voltage System (kV)	BIL (kV)	Power-Frequency Withstand Voltage (1 min)	
Code	Ratio	Primary (V)	Second- ary (V)	IEEE Metering Accuracy						Primary & Secondary (kV <sub>rms</sub> )	Secondary Winding (kV <sub>rms</sub> )
<b>Switchgear style (no fuse)</b>											
754570001	20:1	2400/4160Y	120	0.3 W,X,M,Y	1.1	1.25	1000	15	110	34	2.5
754570002	35:1	4200/7280Y	120	0.3 W,X,M,Y	1.1	1.25	1000	15	110	34	2.5
754570003	40:1	4800/8320Y	120	0.3 W,X,M,Y	1.1	1.25	1000	15	110	34	2.5
754570004	57.73:1	6928/12000Y	120	0.3 W,X,M,Y	1.1	1.25	1000	15	110	34	2.5
754570005	60:1	7200/12470Y	120	0.3 W,X,M,Y	1.1	1.25	1000	15	110	34	2.5
754570006	63.5:1	7620/13200Y	120	0.3 W,X,M,Y	1.1	1.25	1000	15	110	34	2.5
754570007	66.42:1	7970/13800Y	120	0.3 W,X,M,Y	1.1	1.25	1000	15	110	34	2.5
754570008	70:1	8400/14560Y	120	0.3 W,X,M,Y	1.1	1.25	1000	15	110	34	2.5
754570009	83.33:1	10000/10000Y	120	0.3 W,X,M,Y	1.1	1.25	1000	15	110	34	2.5
754570010	100:1	12000/12000Y	120	0.3 W,X,M,Y	1.1	1.25	1000	15	110	34	2.5
754570011	103.9:1	12470/12470Y	120	0.3 W,X,M,Y	1.1	1.25	1000	15	110	34	2.5
754570012	110:1	13200/13200Y	120	0.3 W,X,M,Y	1.1	1.25	1000	15	110	34	2.5
754570013	115:1	13800/13800Y	115	0.3 W,X,M,Y	1.1	1.25	1000	15	110	34	2.5
754570014	120:1	14400/14400Y	120	0.3 W,X,M,Y	1.1	1.25	1000	15	110	34	2.5

Additional ratings available upon request.

Secondary terminals:

- Size: M6
- Torque: 3 Nm
- Material: Brass

Notes: .....

.....

.....

.....

.....

.....

.....

.....

.....

.....

.....

.....

.....

.....

.....

.....

.....

.....