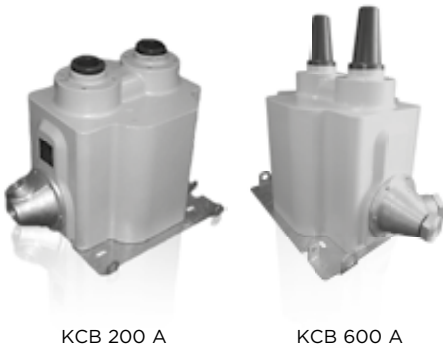


KCB-17

15 kV COMBINED TRANSFORMER



KCB 200 A

KCB 600 A

INDOOR
60 Hertz

ARTECHE KCB series are dry type indoor service dead-front combination CT-PT.

The core is encapsulated with Type B epoxy resin which provides excellent internal dielectric properties and mechanical strength, ensuring a long mechanical and electrical life. The transformer is maintenance free.

The entire surface of the transformer is coated with a conductive layer that is intended to be solidly grounded when energized. This allows for compact mounting inside switchgear or enclosures.

The core is built with high permeability grain oriented silicon steel laminations for low losses. The windings are copper wire with copper plate double isolation. The concentric distribution of the coils prevents magnetic flux leakage, achieving greater accuracy and higher capacity to withstand mechanical stresses in adverse operating conditions.

Partial Discharge measurements exceed the IEEE, CAN/CSA and IEC requirements.

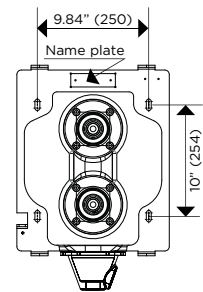
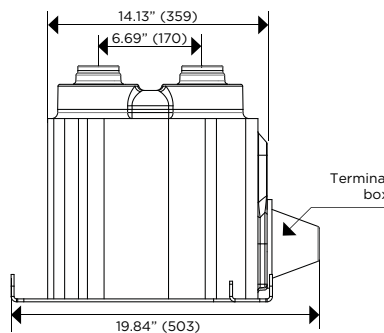
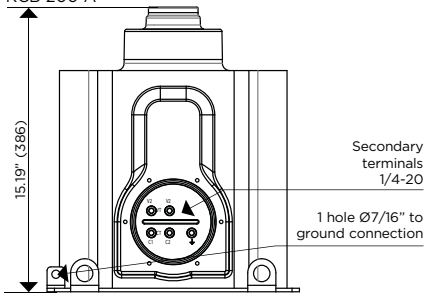
The primary terminals are standard 200 or 600 Ampere rated dead-front bushing well and can be connected using IEEE 368 standard inserts and elbow connectors.

The secondary terminals are 1/4" slotted screws with flat and lock washers located inside a metallic terminal cover with two 1" NPT conduit hubs. The ground terminal is provided inside the terminal cover along with a manually operated CT secondary shorting device for safety purposes.

Mechanical characteristics

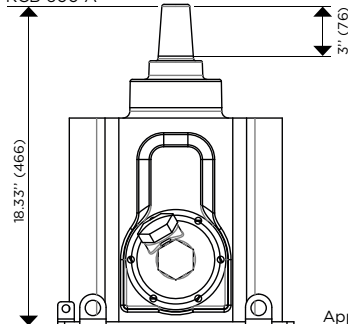
Insulation Material	Colors	Weight (lbs.)
Metallized resin	Gray	150

KCB 200 A



Drawing number: 4286592 (200 A) / 4287655 (600 A)

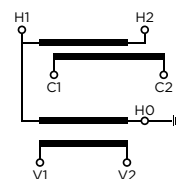
KCB 600 A



Approximate dimensions in inches (mm).

MARKING
(Single
Primary
Ratio)

ONE SECONDARY



KCB-17

15 kV COMBINED TRANSFORMER

Electrical characteristics										
Code	Current Ratio (Primary: Secondary)	Continuous Thermal Current Rating Factor @ 30°C	Short-time Thermal Current (kA/1s)	Short-time Mechanical Current (kA _{peak})	IEEE Metering Accuracy [Current Transformer]	IEEE Metering Accuracy [Voltage Transformer]	Nominal Voltage System (kV)	BIL (kV)	Power-Frequency Withstand Voltage (1 min)	
									Power frequency applied voltage test (kV _{rms})	Power frequency secondary applied voltage test (kV _{rms})
770034011	5:5	2.0	0.5	1.25	0.3 B-0.5	0.3 W,X,M,Y/1.2Z	15	110	34	2.5
770034021	10:5	2.0	1	2.5	0.3 B-0.5	0.3 W,X,M,Y/1.2Z	15	110	34	2.5
770034031	15:5	2.0	1.5	3.75	0.3 B-0.5	0.3 W,X,M,Y/1.2Z	15	110	34	2.5
770034041	20:5	2.0	2	5	0.3 B-0.5	0.3 W,X,M,Y/1.2Z	15	110	34	2.5
770034051	25:5	2.0	2.5	6.25	0.3 B-0.5	0.3 W,X,M,Y/1.2Z	15	110	34	2.5
770034061	30:5	2.0	3	7.5	0.3 B-0.5	0.3 W,X,M,Y/1.2Z	15	110	34	2.5
770034081	40:5	2.0	4	10	0.3 B-0.5	0.3 W,X,M,Y/1.2Z	15	110	34	2.5
770034101	50:5	2.0	5	12.5	0.3 B-0.5	0.3 W,X,M,Y/1.2Z	15	110	34	2.5
770034151	75:5	2.0	7.5	18.75	0.3 B-0.5	0.3 W,X,M,Y/1.2Z	15	110	34	2.5
770034201	100:5	2.0	10	25	0.3 B-0.5	0.3 W,X,M,Y/1.2Z	15	110	34	2.5
770035301	150:5	1.33	10	25	0.3 B-0.5	0.3 W,X,M,Y/1.2Z	15	110	34	2.5
770035401	200:5	1.0	10	25	0.3 B-0.5	0.3 W,X,M,Y/1.2Z	15	110	34	2.5
770031131	300:5	1.5	30	75	0.3 B-0.5	0.3 W,X,M,Y/1.2Z	15	110	34	2.5
770031141	400:5	1.5	40	100	0.3 B-0.5	0.3 W,X,M,Y/1.2Z	15	110	34	2.5
770031251	600:5	1.0	60	150	0.3 B-0.5	0.3 W,X,M,Y/1.2Z	15	110	34	2.5
High Accuracy Extended Range 1% nominal current to Rating Factor										
770031101	100:5	2.0	10	25	0.15 B-0.5	0.3 W,X,M,Y/1.2Z	15	110	34	2.5
770031121	200:5	2.0	20	50	0.15 B-0.5	0.3 W,X,M,Y/1.2Z	15	110	34	2.5
770031151	600:5	1.0	48	120	0.15 B-0.5	0.3 W,X,M,Y/1.2Z	15	110	34	2.5

Voltage Ratings					
VT Ratio	Primary (V)	Secondary (V)	Thermal Burden (VA)	Continuous Rated Voltage Factor (Un)	Rated Voltage Factor 30s (Un)
60:1	7200/12470GY	120	750	1.1	1.25

Additional VT ratios are available. Please contact Arteché for details.

Notes:

.....

.....

.....

.....

.....

.....

.....

.....

.....

.....

.....

.....

.....

.....

.....

.....

.....

.....

.....

.....

.....