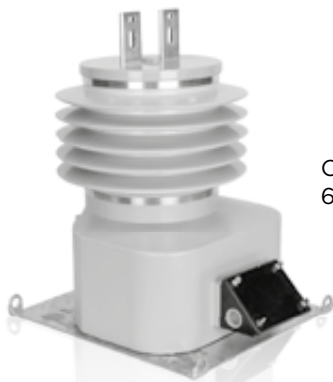


KM-15

15 kV COMBINED TRANSFORMER



**OUTDOOR
60 Hertz**

ARTECHE KM series are dry type outdoor service combination CT-PT. The core is encapsulated with Type B epoxy resin which provides excellent internal dielectric properties and mechanical strength. The external layer of Cycloaliphatic Epoxy Resin (CEP) provides resistance to ultraviolet rays and the effects of tracking and erosion on the exterior of the transformer ensuring a long mechanical and electrical life. The transformer is maintenance free.

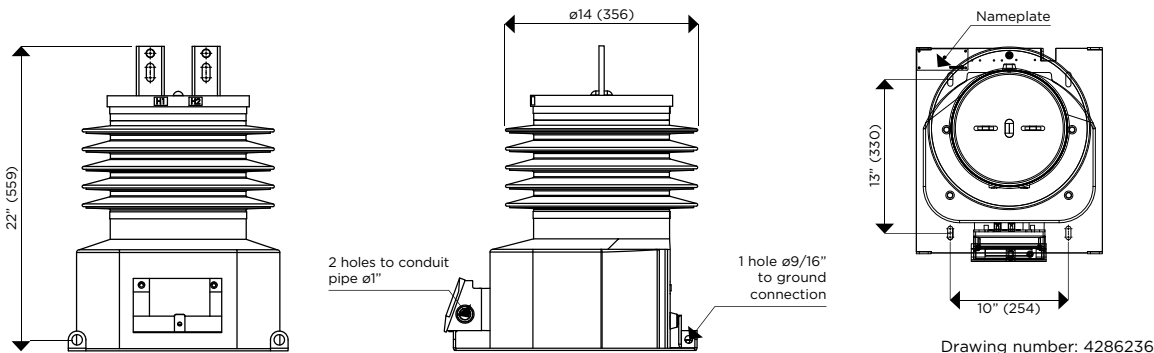
The external layer can be manufactured with Hydrophobic Cycloaliphatic Epoxy Resin (HCEP) which improves service life expectancy due to its improved tracking and erosion resistance. HCEP additionally increases the transformer's weatherability and offers better performance in heavily polluted environments.

The core is built with high permeability grain oriented silicon steel laminations for low losses. The windings are copper wire with copper plate double isolation. The concentric distribution of the coils prevents magnetic flux leakage, achieving greater accuracy and higher capacity to withstand mechanical stresses in adverse operating conditions.

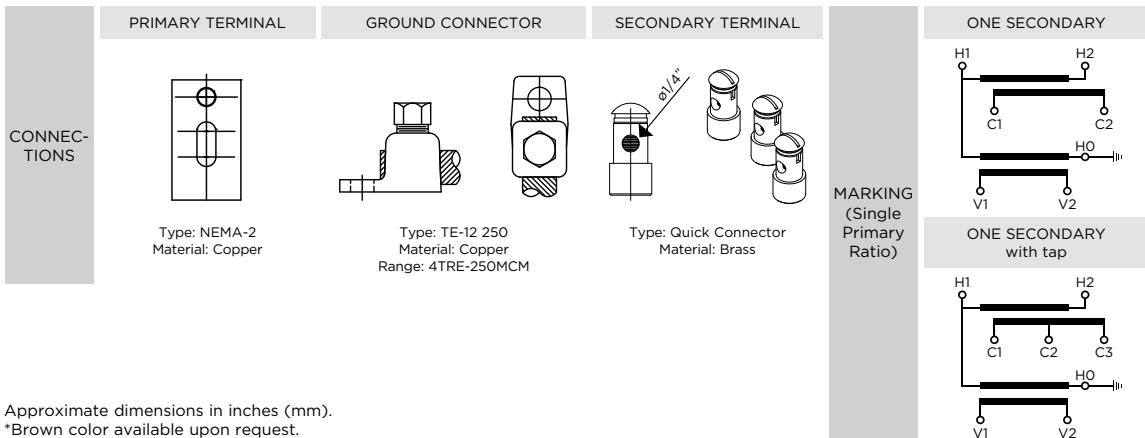
Partial Discharge measurements exceed the IEEE, CAN/CSA and IEC requirements.

Mechanical characteristics

Insulation Material	Colors	Weight (lbs.)	Creepage distance (in)	Strike distance (in)
Resin	Gray*	209	23.7	13



Drawing number: 4286236



Approximate dimensions in inches (mm).
*Brown color available upon request.

KM-15

15 kV COMBINED TRANSFORMER

Electrical characteristics											
Code (CEP)	Code (HCEP)	Current Ratio (Primary: Secondary)	Continuous Thermal Current Rating Factor @ 30°C	Short-time Thermal Current (kA/1s)	Short-time Mechanical Current (kA _{peak})	IEEE Metering Accuracy [Current Transformer]	IEEE Metering Accuracy [Voltage Transformer]	Nominal Voltage System (kV)	BIL (kV)	Power-Frequency Withstand Voltage (1 min)	
										Primary & Secondary (kV _{rms})	Secondary Winding (kV _{rms})
770083011	770086026-H	5:5	3.0	0,5	1.4	0.3 B-0.5	0.3 W,X,M,Y/0.6Z	15	110	34	2.5
770083021	770086025-H	10:5	3.0	1	2.7	0.3 B-0.5	0.3 W,X,M,Y/0.6Z	15	110	34	2.5
770083031	770086024-H	15:5	3.0	1.5	4.1	0.3 B-0.5	0.3 W,X,M,Y/0.6Z	15	110	34	2.5
770083041	770086023-H	20:5	3.0	2	5.4	0.3 B-0.5	0.3 W,X,M,Y/0.6Z	15	110	34	2.5
770083051	770086022-H	25:5	3.0	2.5	6.8	0.3 B-0.5	0.3 W,X,M,Y/0.6Z	15	110	34	2.5
770083061	770086021-H	30:5	3.0	3	8.1	0.3 B-0.5	0.3 W,X,M,Y/0.6Z	15	110	34	2.5
770083071	770086020-H	40:5	3.0	4	10.8	0.3 B-0.5	0.3 W,X,M,Y/0.6Z	15	110	34	2.5
770083081	770086019-H	50:5	3.0	5	13.5	0.3 B-0.5	0.3 W,X,M,Y/0.6Z	15	110	34	2.5
770083091	770086018-H	75:5	3.0	7.5	20.3	0.3 B-0.5	0.3 W,X,M,Y/0.6Z	15	110	34	2.5
770083101	770086017-H	100:5	3.0	10	27	0.3 B-0.5	0.3 W,X,M,Y/0.6Z	15	110	34	2.5
770083111	770086016-H	150:5	3.0	15	40.5	0.3 B-0.5	0.3 W,X,M,Y/0.6Z	15	110	34	2.5
770083121	770086015-H	200:5	3.0	20	54	0.3 B-0.5	0.3 W,X,M,Y/0.6Z	15	110	34	2.5
770083131	770086014-H	300:5	3.0	30	81	0.3 B-0.5	0.3 W,X,M,Y/0.6Z	15	110	34	2.5
770083141	770086013-H	400:5	3.0	40	108	0.3 B-0.5	0.3 W,X,M,Y/0.6Z	15	110	34	2.5
770083151	770086012-H	600:5	2.0	60	162	0.3 B-0.5	0.3 W,X,M,Y/0.6Z	15	110	34	2.5
770081161	770086029-H	800:5	1.5	60	162	0.3 B-0.5	0.3 W,X,M,Y/0.6Z	15	110	34	2.5
770081171	770086028-H	1000:5	1.2	60	162	0.3 B-0.5	0.3 W,X,M,Y/0.6Z	15	110	34	2.5
770081181	770086027-H	1200:5	1.0	60	162	0.3 B-0.5	0.3 W,X,M,Y/0.6Z	15	110	34	2.5
770084041	770086010-H	10/20:5	2.0/1.5	2	5	0.3 B0.2/B-0.5	0.3 W,X,M,Y/0.6Z	15	110	34	2.5
770084081	770086009-H	25/50:5	2.0/1.5	5	12.5	0.3 B0.2/B-0.5	0.3 W,X,M,Y/0.6Z	15	110	34	2.5
770084121	770086008-H	100/200:5	2.0/1.5	20	50	0.3 B0.2/B-0.5	0.3 W,X,M,Y/0.6Z	15	110	34	2.5
770084151	770086007-H	300/600:5	2.0/1.5	60	150	0.3 B0.2/B-0.5	0.3 W,X,M,Y/0.6Z	15	110	34	2.5
770084161	770086006-H	400/800:5	2.0/1.5	60	150	0.3 B0.2/B-0.5	0.3 W,X,M,Y/0.6Z	15	110	34	2.5
770083161	770086011-H	400/800:5	3.0/1.5	60	150	0.3 B0.2/B-0.5	0.3 W,X,M,Y/0.6Z	15	110	34	2.5
770084171	770086005-H	500/1000:5	2.0/1.2	75	127.5	0.3 B0.2/B-0.5	0.3 W,X,M,Y/0.6Z	15	110	34	2.5
770084181	770086004-H	600/1200:5	2.0/1.0	90	162	0.3 B0.2/B-0.5	0.3 W,X,M,Y/0.6 Z	15	110	34	2.5
High Accuracy Extended Range 1% nominal current to Rating Factor											
770087121	770086003-H	200:5	3.0	20	50	0.15 B-0.5	0.3 W,X,M,Y/0.6Z	15	110	34	2.5
770088121	770086002-H	200:5	1.5	20	50	0.15 B-1.8	0.3 W,X,M,Y/0.6Z	15	110	34	2.5
770088171	770086001-H	1000:5	1.5	75	127.5	0.15 B-1.8	0.3 W,X,M,Y/0.6Z	15	110	34	2.5

Additional ratings available upon request.

Voltage Ratings					
VT Ratio	Primary (V)	Secondary (V)	Thermal Burden (VA)	Continuous Rated Voltage Factor (Un)	Rated Voltage Factor 30s (Un)
60:1	7200/12470GY	120	750	1.25	1.5

Additional VT ratios are available. Please contact Arteche for details.

Notes:

.....

