

# ACD-12

## 8.7 kV CURRENT TRANSFORMER



INDOOR  
60 Hertz

ARTECHE AC series are dry insulated indoor service current transformers. The CT core is encapsulated with Type B epoxy resin resulting in excellent internal dielectric properties and mechanical strength. The device is maintenance free, providing a long mechanical and electrical service life.

The core of the CT is constructed from silicon steel laminations with a high permeability grain orientation resulting in low core losses. The windings are copper wire with copper plate double isolation. Concentric distribution of the CT coils prevents magnetic flux leakage, achieving greater accuracy and higher capacity to withstand mechanical stresses under adverse operating conditions.

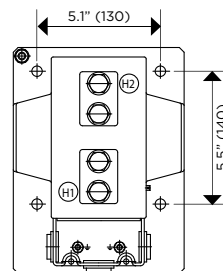
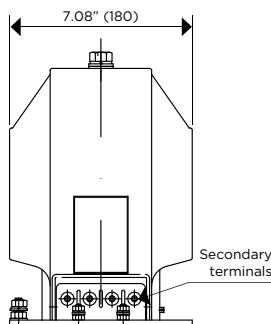
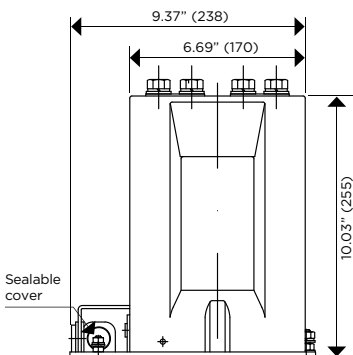
Partial Discharge measurements exceed the IEEE, CAN/CSA and IEC requirements.



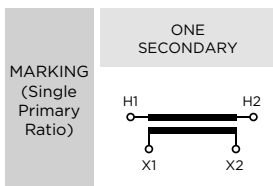
UL Recognized Component File No.:E252140

### Mechanical characteristics

Insulation Material	Colors	Weight (lbs.)
Resin	Gray*	35.3



Drawing number: 4286138



Approximate dimensions in inches (mm).  
\* Brown color available upon request.

# ACD-12

## 8.7 kV CURRENT TRANSFORMER

Electrical characteristics										
Code	Current Ratio (Primary: Secondary) (A)	Continuous Thermal Current Rating Factor @ 30°C	Short-time Thermal Current (kA/1s)	Short-time Mechanical Current (kA <sub>peak</sub> )	IEEE Metering Accuracy	Relay Accuracy	Nominal Voltage System (kV)	BIL (kV)	Power-Frequency Withstand Voltage (1 min)	
									Primary & Secondary (kV <sub>rms</sub> )	Secondary Winding (kV <sub>rms</sub> )
750251001	5:5	1.5	0.5	1	0.3 B-0.5	C-50	8.7	75	26	2.5
750251002	10:5	1.5	1	2	0.3 B-0.5	C-50	8.7	75	26	2.5
750251003	15:5	1.5	1.5	3	0.3 B-0.5	C-50	8.7	75	26	2.5
750251004	20:5	1.5	2	4	0.3 B-0.5	C-50	8.7	75	26	2.5
750251005	25:5	1.5	2.5	5	0.3 B-0.5	C-50	8.7	75	26	2.5
750251006	30:5	1.5	3	6	0.3 B-0.5	C-50	8.7	75	26	2.5
750251008	40:5	1.5	4	8	0.3 B-0.5	C-50	8.7	75	26	2.5
750251010	50:5	1.5	5	10	0.3 B-0.5	C-50	8.7	75	26	2.5
750251015	75:5	1.5	7.5	15	0.3 B-0.5	C-50	8.7	75	26	2.5
750251020	100:5	1.5	10	20	0.3 B-0.5	C-50	8.7	75	26	2.5
750251030	150:5	1.5	15	30	0.3 B-0.5	C-50	8.7	75	26	2.5
750251040	200:5	1.5	20	40	0.3 B-0.5	C-50	8.7	75	26	2.5
750251060	300:5	1.5	30	60	0.3 B-0.5	C-50	8.7	75	26	2.5
750251080	400:5	1.5	40	80	0.3 B-0.5	C-50	8.7	75	26	2.5
750251120	600:5	1.5	50	95	0.3 B-0.5	C-50	8.7	75	26	2.5
750251160	800:5	1.5	60	120	0.3 B-0.5	C-50	8.7	75	26	2.5
750251200	1000:5	1.2	75	135	0.3 B-0.5	C-50	8.7	75	26	2.5
750251240	1200:5	1.2	84	150	0.3 B-0.5	C-50	8.7	75	26	2.5

Additional ratings available upon request.

**Notes:** .....

.....

.....

.....

.....

.....

.....

.....

.....

.....

.....

.....

.....

.....

.....

.....

.....

.....

.....

.....

.....