

CRFR-17

15 kV CURRENT TRANSFORMER



OUTDOOR
60 Hertz

ARTECHE CR series are dry type outdoor service current transformers. The core is encapsulated with Type B epoxy resin which provides excellent internal dielectric properties and mechanical strength. The external layer of Cycloaliphatic Epoxy Resin (CEP) provides resistance to ultraviolet rays and the effects of tracking and erosion on the exterior of the transformer ensuring a long mechanical and electrical life. The transformer is maintenance free.

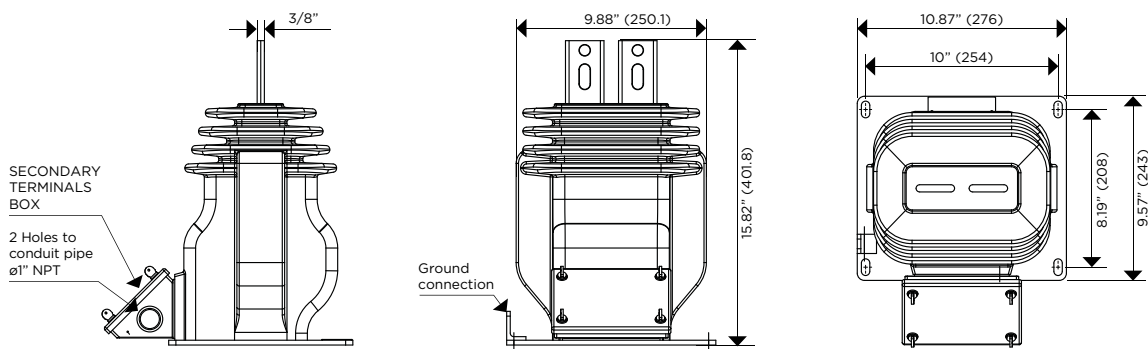
The external layer can be manufactured with Hydrophobic Cycloaliphatic Epoxy Resin (HCEP) which improves service life expectancy due to its improved tracking and erosion resistance. HCEP additionally increases the transformer's weatherability and offers better performance in heavily polluted environments.

The core is built with high permeability grain oriented silicon steel laminations for low losses. The windings are copper wire with copper plate double isolation. The concentric distribution of the coils prevents magnetic flux leakage, achieving greater accuracy and higher capacity to withstand mechanical stresses in adverse operating conditions.

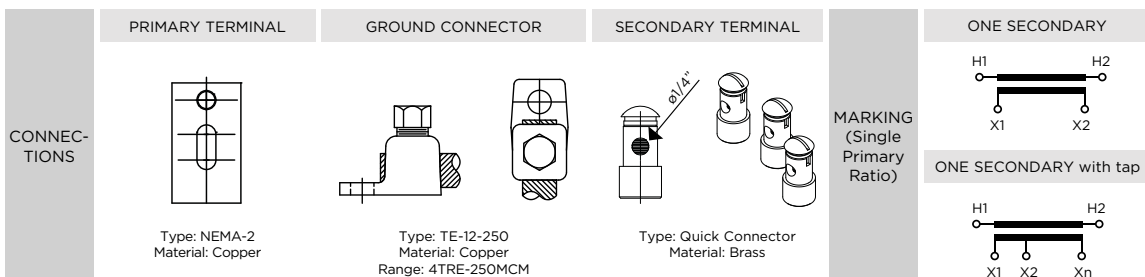
Partial Discharge measurements exceed the IEEE, CAN/CSA and IEC requirements.

Mechanical characteristics

Insulation Material	Colors	Weight (lbs.)	Creepage distance (in)	Strike distance (in)
Resin	Gray*	66	18.9	8.66



Drawing number: 4288894



Approximate dimensions in inches (mm).
* Brown color available upon request.

CRFR-17

15 kV CURRENT TRANSFORMER

Electrical characteristics

Code (CEP)	Code (HCEP)	Current Ratio (Primary: Secondary) (A)	Continuous Thermal Current Rating Factor @ 30°C	Short-time Thermal Current (kA/1s)	Short-time Mechanical Current (kA _{peak})	IEEE Metering Accuracy	Relay Accuracy	Nominal Voltage System (kV)	BIL (kV)	Power-Frequency Withstand Voltage (1 min)	
										Primary & Secondary (kV _{rms})	Secondary Winding (kV _{rms})
756330001	756330090-H	5:5	1,5	0,5	0,95	0.3B-1.8	T200	15	110	34	2,5
756330002	756330091-H	10:5	1,5	1	1,9	0.3B-1.8	T200	15	110	34	2,5
756330003	756330092-H	15:5	1,5	1,5	2,85	0.3B-1.8	T200	15	110	34	2,5
756330004	756330093-H	20:5	1,5	2	3,8	0.3B-1.8	T200	15	110	34	2,5
756330005	756330094-H	25:5	1,5	2,5	4,75	0.3B-1.8	T200	15	110	34	2,5
756330006	756330095-H	30:5	1,5	3	5,7	0.3B-1.8	T200	15	110	34	2,5
756330007	756330096-H	40:5	1,5	4	7,6	0.3B-1.8	T200	15	110	34	2,5
756330008	756330097-H	50:5	1,5	5	9,5	0.3B-1.8	T200	15	110	34	2,5
756330009	756330098-H	60:5	1,5	6	11,4	0.3B-1.8	T200	15	110	34	2,5
756330010	756330099-H	75:5	1,5	7,5	14,25	0.3B-1.8	T200	15	110	34	2,5
756330011	756330100-H	100:5	1,5	10	19	0.3B-1.8	T200	15	110	34	2,5
756330012	756330101-H	150:5	1,5	15	37,5	0.3B-1.8	T200	15	110	34	2,5
756330013	756330102-H	200:5	1,5	20	50	0.3B-1.8	T200	15	110	34	2,5
756330014	756330103-H	300:5	1,5	30	75	0.3B-1.8	T200	15	110	34	2,5
756330015	756330104-H	400:5	1,5	40	100	0.3B-1.8	T200	15	110	34	2,5
756330016	756330105-H	600:5	1,5	60	86,7	0.3B-1.8	T200	15	110	34	2,5
756330017	756330106-H	800:5	1,5	60	114	0.3B-1.8	T200	15	110	34	2,5
756330018	756330107-H	1000:5	1,5	75	142,5	0.3B-1.8	T200	15	110	34	2,5
756330019	756330108-H	1200:5	1,5	90	171	0.3B-1.8	T200	15	110	34	2,5
756330020	756330109-H	5/10:5	2.0/1.5	1	1,9	0.3B-0.9/0.3B-1.8	T100/200	15	110	34	2,5
756330021	756330110-H	10/20:5	2.0/1.5	2	3,8	0.3B-0.9/0.3B-1.8	T100/200	15	110	34	2,5
756330022	756330111-H	20/40:5	2.0/1.5	4	7,6	0.3B-0.9/0.3B-1.8	T100/200	15	110	34	2,5
756330023	756330112-H	25/50:5	2.0/1.5	5	9,5	0.3B-0.9/0.3B-1.8	T100/200	15	110	34	2,5
756330024	756330113-H	30/60:5	2.0/1.5	6	11,4	0.3B-0.9/0.3B-1.8	T100/200	15	110	34	2,5
756330025	756330114-H	50/100:5	2.0/1.5	10	19	0.3B-0.9/0.3B-1.8	T100/200	15	110	34	2,5
756330026	756330115-H	75/150:5	2.0/1.5	15	28,5	0.3B-0.9/0.3B-1.8	T100/200	15	110	34	2,5
756330027	756330116-H	100/200:5	2.0/1.5	20	38	0.3B-0.9/0.3B-1.8	T100/200	15	110	34	2,5
756330028	756330117-H	150/300:5	2.0/1.5	30	57	0.3B-0.9/0.3B-1.8	T100/200	15	110	34	2,5
756330029	756330118-H	200/400:5	2.0/1.5	40	76	0.3B-0.9/0.3B-1.8	T100/200	15	110	34	2,5
756330030	756330119-H	300/600:5	2.0/1.5	60	86,7	0.3B-0.9/0.3B-1.8	T100/200	15	110	34	2,5
756330031	756330120-H	400/800:5	2.0/1.5	60	114	0.3B-0.9/0.3B-1.8	T100/200	15	110	34	2,5
756330032	756330121-H	500/1000:5	2.0/1.5	75	142,5	0.3B-0.9/0.3B-1.8	T100/200	15	110	34	2,5
756330033	756330122-H	600/1200:5	2.0/1.5	90	171	0.3B-0.9/0.3B-1.8	T100/200	15	110	34	2,5
756330034	756330123-H	5:5	1,5	0,5	0,95	0.15B-0.9	-	15	110	34	2,5
756330035	756330124-H	10:5	1,5	1	1,9	0.15B-0.9	-	15	110	34	2,5
756330036	756330125-H	15:5	1,5	1,5	2,85	0.15B-0.9	-	15	110	34	2,5
756330037	756330126-H	20:5	1,5	2	3,8	0.15B-0.9	-	15	110	34	2,5
756330038	756330127-H	25:5	1,5	2,5	4,75	0.15B-0.9	-	15	110	34	2,5
756330039	756330128-H	30:5	1,5	3	5,7	0.15B-0.9	-	15	110	34	2,5
756330040	756330129-H	40:5	1,5	4	7,6	0.15B-0.9	-	15	110	34	2,5
756330041	756330130-H	50:5	1,5	5	9,5	0.15B-0.9	-	15	110	34	2,5
756330042	756330131-H	60:5	1,5	6	11,4	0.15B-0.9	-	15	110	34	2,5
756330043	756330132-H	75:5	1,5	7,5	14,25	0.15B-0.9	-	15	110	34	2,5
756330044	756330133-H	100:5	1,5	10	19	0.15B-0.9	-	15	110	34	2,5
756330045	756330134-H	150:5	1,5	15	37,5	0.15B-0.9	-	15	110	34	2,5
756330046	756330135-H	200:5	1,5	20	50	0.15B-0.9	-	15	110	34	2,5
756330047	756330136-H	300:5	1,5	30	75	0.15B-0.9	-	15	110	34	2,5
756330048	756330137-H	400:5	1,5	40	100	0.15B-0.9	-	15	110	34	2,5

CRFR-17

15 kV CURRENT TRANSFORMER

Electrical characteristics

Code (CEP)	Code (HCEP)	Current Ratio (Primary: Secondary) (A)	Continuous Thermal Current Rating Factor @ 30°C	Short-time Thermal Current (kA/1s)	Short-time Mechanical Current (kA _{peak})	IEEE Metering Accuracy	Relay Accuracy	Nominal Voltage System (kV)	BIL (kV)	Power-Frequency Withstand Voltage (1 min)	
										Primary & Secondary (kV _{rms})	Secondary Winding (kV _{rms})
756330049	756330138-H	600:5	1,5	60	86,7	0.15B-0.9	-	15	110	34	2,5
756330050	756330139-H	800:5	1,33	60	114	0.15B-0.9	-	15	110	34	2,5
756330051	756330140-H	1000:5	1,5	75	142,5	0.15B-0.9	-	15	110	34	2,5
756330052	756330141-H	1200:5	1,5	90	171	0.15B-0.9	-	15	110	34	2,5
756330053	756330142-H	5/10:5	2.0/1.5	1	1,9	0.15B-0.5/0.15B-0.9	-	15	110	34	2,5
756330054	756330143-H	10/20:5	2.0/1.5	2	3,8	0.15B-0.5/0.15B-0.9	-	15	110	34	2,5
756330055	756330144-H	20/40:5	2.0/1.5	4	7,6	0.15B-0.5/0.15B-0.9	-	15	110	34	2,5
756330056	756330145-H	25/50:5	2.0/1.5	5	9,5	0.15B-0.5/0.15B-0.9	-	15	110	34	2,5
756330057	756330146-H	30/60:5	2.0/1.5	6	11,4	0.15B-0.5/0.15B-0.9	-	15	110	34	2,5
756330058	756330147-H	50/100:5	2.0/1.5	10	19	0.15B-0.5/0.15B-0.9	-	15	110	34	2,5
756330059	756330148-H	75/150:5	2.0/1.5	15	28,5	0.15B-0.5/0.15B-0.9	-	15	110	34	2,5
756330060	756330149-H	100/200:5	2.0/1.5	20	38	0.15B-0.5/0.15B-0.9	-	15	110	34	2,5
756330061	756330150-H	150/300:5	2.0/1.5	30	57	0.15B-0.5/0.15B-0.9	-	15	110	34	2,5
756330062	756330151-H	200/400:5	2.0/1.5	40	76	0.15B-0.5/0.15B-0.9	-	15	110	34	2,5
756330063	756330152-H	300/600:5	2.0/1.5	60	86,7	0.15B-0.5/0.15B-0.9	-	15	110	34	2,5
756330064	756330153-H	400/800:5	2.0/1.5	60	114	0.15B-0.5/0.15B-0.9	-	15	110	34	2,5
756330065	756330154-H	500/1000:5	2.0/1.5	75	142,5	0.15B-0.5/0.15B-0.9	-	15	110	34	2,5
756330066	756330155-H	600/1200:5	2.0/1.5	90	171	0.15B-0.5/0.15B-0.9	-	15	110	34	2,5
High Accuracy Extended Range 5% nominal current to Rating Factor											
756330067	756330156-H	5:5	1,5	0,5	0,95	0.15SB-0.9	-	15	110	34	2,5
756330068	756330157-H	10:5	1,5	1	1,9	0.15SB-0.9	-	15	110	34	2,5
756330069	756330158-H	15:5	1,5	1,5	2,85	0.15SB-0.9	-	15	110	34	2,5
756330070	756330159-H	20:5	1,5	2	3,8	0.15SB-0.9	-	15	110	34	2,5
756330071	756330160-H	25:5	1,5	2,5	4,75	0.15SB-0.9	-	15	110	34	2,5
756330072	756330161-H	30:5	1,5	3	5,7	0.15SB-0.9	-	15	110	34	2,5
756330073	756330162-H	40:5	1,5	4	7,6	0.15SB-0.9	-	15	110	34	2,5
756330074	756330163-H	50:5	1,5	5	9,5	0.15SB-0.9	-	15	110	34	2,5
756330075	756330164-H	60:5	1,5	6	11,4	0.15SB-0.9	-	15	110	34	2,5
756330076	756330165-H	75:5	1,5	7,5	14,25	0.15SB-0.9	-	15	110	34	2,5
756330077	756330166-H	100:5	1,5	10	19	0.15SB-0.9	-	15	110	34	2,5
756330078	756330167-H	150:5	1,5	15	37,5	0.15SB-0.9	-	15	110	34	2,5
756330079	756330168-H	200:5	1,5	20	50	0.15SB-0.9	-	15	110	34	2,5
756330080	756330169-H	300:5	1,5	30	75	0.15SB-0.9	-	15	110	34	2,5
756330081	756330170-H	400:5	1,5	40	100	0.15SB-0.9	-	15	110	34	2,5
756330082	756330171-H	600:5	1,5	60	86,7	0.15SB-0.9	-	15	110	34	2,5
756330083	756330172-H	800:5	1,33	60	114	0.15SB-0.9	-	15	110	34	2,5
756330084	756330173-H	1000:5	1,5	75	142,5	0.15SB-0.9	-	15	110	34	2,5
756330085	756330174-H	1200:5	1,5	90	171	0.15SB-0.9	-	15	110	34	2,5
High Accuracy Extended Range 1% nominal current to Rating Factor											
756330086	756330175-H	200:5	1,5	10	19	0.15 B-1.8	-	15	110	34	2,5
756330087	756330176-H	600:5	1,5	10	19	0.15 B-1.8	-	15	110	34	2,5
756330088	756330177-H	1000:5	1,5	60	114	0.15 B-1.8	-	15	110	34	2,5
756330089	756330178-H	1200:5	1,5	90	171	0.15 B-1.8	-	15	110	34	2,5

Additional ratings available upon request.

CRFR-17

15 kV CURRENT TRANSFORMER

Notes:

.....

.....

.....

.....

.....

.....

.....

.....

.....

.....

.....

.....

.....

.....

.....

.....

.....

.....

.....

.....

.....

.....

.....

.....

.....

.....

.....

.....

.....

.....

.....

.....

.....

.....

.....

.....

.....

.....

.....

.....

.....

.....

.....

.....

.....

.....

.....

.....

.....

.....

.....

.....

.....