

# URJR-17

## 15 kV VOLTAGE TRANSFORMER



**OUTDOOR**  
**60 Hertz**

ARTECHE UR/VR series are dry type outdoor service voltage transformers. The core is encapsulated with Type B epoxy resin which provides excellent internal dielectric properties and mechanical strength. The external layer of Cycloaliphatic Epoxy Resin (CEP) provides resistance to ultraviolet rays and the effects of tracking and erosion on the exterior of the transformer ensuring a long mechanical and electrical life. The transformer is maintenance free.

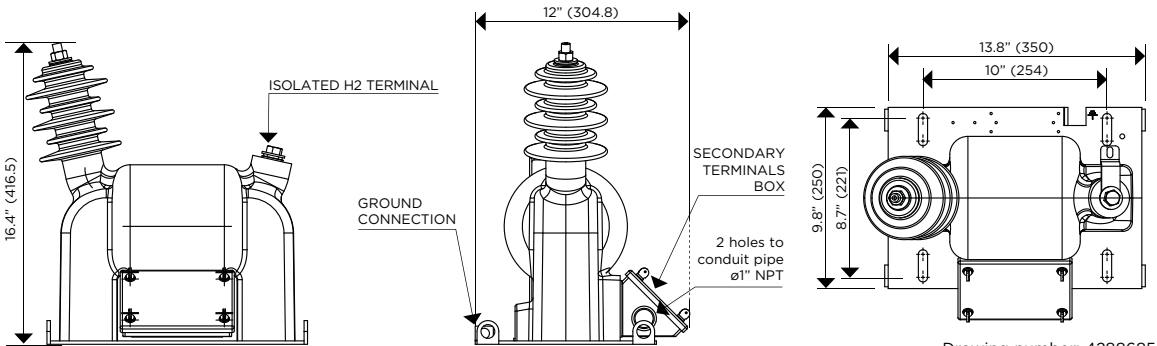
The external layer can be manufactured with Hydrophobic Cycloaliphatic Epoxy Resin (HCEP) which improves service life expectancy due to its improved tracking and erosion resistance. HCEP additionally increases the transformer's weatherability and offers better performance in heavily polluted environments.

The core is built with high permeability grain oriented silicon steel laminations for low losses. The windings are copper wire with copper plate double isolation. The concentric distribution of the coils prevents magnetic flux leakage, achieving greater accuracy and higher capacity to withstand mechanical stresses in adverse operating conditions.

Partial Discharge measurements exceed the IEEE, CAN/CSA and IEC requirements.

### Mechanical characteristics

Insulation Material	Colors	Weight (lbs.)	Creepage distance (in)	Strike distance (in)
Resin	Gray*	68.5	25.75	11.5



Drawing number: 4288685

	PRIMARY TERMINAL	GROUND TERMINAL	SECONDARY TERMINAL
CONNECTIONS	<p>Type: TE-4T Material: Copper Range: 8SOL-4TRE</p>	<p>Type: TE-12-250 Material: Copper Range: 4TRE-250MCM</p>	<p>Type: Quick Connector Material: Brass</p>
MARKING (Single Primary Ratio)	<p>UNFUSED</p>	<p>UNFUSED</p>	

Approximate dimensions in inches (mm).  
\* Brown color available upon request.

