

IRH-3

600 V CURRENT TRANSFORMER



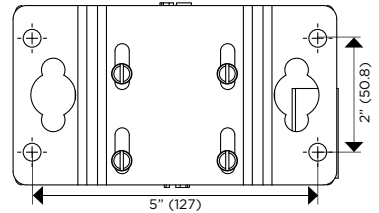
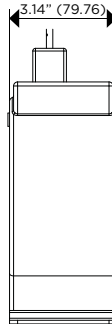
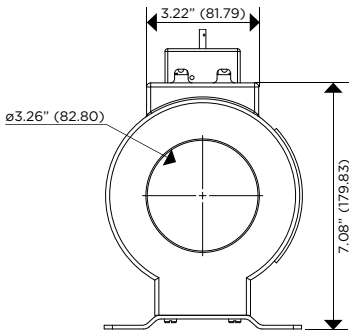
INDOOR-
OUTDOOR
60 Hertz

ARTECHE IRH series are dry type indoor/outdoor service current transformers. The core is encapsulated with epoxy resin which provides excellent internal dielectric properties and mechanical strength, ensuring a long mechanical and electrical life. The transformer is maintenance free.

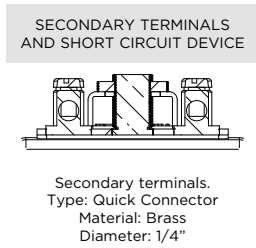
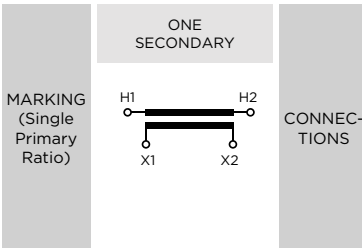
The core is built with high permeability grain oriented silicon steel laminations for low losses. The windings are copper wire with copper plate double isolation. The concentric distribution of the coils prevents magnetic flux leakage, achieving greater accuracy and higher capacity to withstand mechanical stresses in adverse operating conditions.

Mechanical characteristics

Insulation Material	Color	Weight (lbs.)
Resin	Blue	8.8



Drawing number: 4286166



Approximate dimensions in inches (mm).

