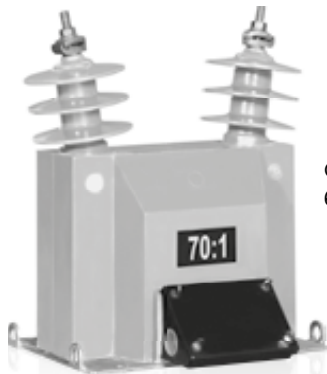


# VRJ-17

## 15 kV VOLTAGE TRANSFORMER



**OUTDOOR  
60 Hertz**

ARTECHE UR/VR series are dry type outdoor service voltage transformers. The core is encapsulated with Type B epoxy resin which provides excellent internal dielectric properties and mechanical strength. The external layer of Cycloaliphatic Epoxy Resin (CEP) provides resistance to ultraviolet rays and the effects of tracking and erosion on the exterior of the transformer ensuring a long mechanical and electrical life. The transformer is maintenance free.

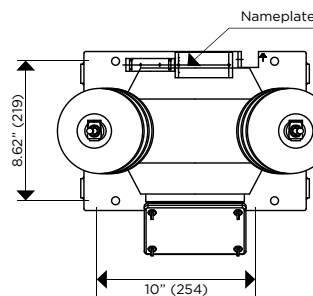
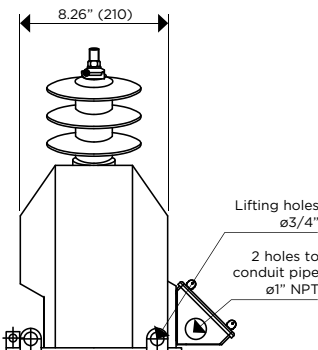
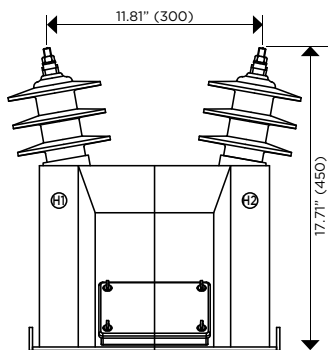
The external layer can be manufactured with Hydrophobic Cycloaliphatic Epoxy Resin (HCEP) which improves service life expectancy due to its improved tracking and erosion resistance. HCEP additionally increases the transformer's weatherability and offers better performance in heavily polluted environments.

The core is built with high permeability grain oriented silicon steel laminations for low losses. The windings are copper wire with copper plate double isolation. The concentric distribution of the coils prevents magnetic flux leakage, achieving greater accuracy and higher capacity to withstand mechanical stresses in adverse operating conditions.

Partial Discharge measurements exceed the IEEE, CAN/CSA and IEC requirements.

**Mechanical characteristics**

Insulation Material	Colors	Weight (lbs.)	Creepage distance (in)	Strike distance (in)
Resin	Gray*	97	21.2	10.82



Drawing number:  
Fused: 4286571 | Unfused: 4286770

	PRIMARY TERMINAL	GROUND TERMINAL	SECONDARY TERMINAL
CONNECTIONS	<p>Type: TE-4T Material: Copper Range: 8SOL-4TRE</p>	<p>Type: TE-12-250 Material: Copper Range: 4TRE-250MCM</p>	<p>Type: Quick Connector Material: Brass</p>

	SINGLE SECONDARY	ONE SECONDARY WITH TAP
MARKING (Single Primary Ratio)	<p>FUSED UNFUSED</p>	<p>FUSED UNFUSED</p>

Approximate dimensions in inches (mm).  
\* Brown color available upon request.

# VRJ-17

## 15 kV VOLTAGE TRANSFORMER

### Electrical characteristics

Code (CEP)	Code (HCEP)	Ratio	Primary (V)	Secondary (V)	IEEE Metering Accuracy	Continuous Rated Voltage Factor (Un)	Rated Voltage Factor 30 s (Un)	Thermal Burden (VA)	Nominal Voltage System (kV)	BIL (kV)	Power-Frequency Withstand Voltage (1 min)	
											Primary & Secondary (kV <sub>rms</sub> )	Secondary Winding (kV <sub>rms</sub> )
<b>With FUSE in the secondary box</b>												
757121020	757120080-H	20:1	2400/4160Y	120	0.3 W,X,M,Y	1.1	1.25	1000	15	110	34	2.5
757121030	757120081-H	30:1	3600/3600Y	120	0.3 W,X,M,Y	1.1	1.25	1000	15	110	34	2.5
757121035	757120082-H	35:1	4200/4200Y	120	0.3 W,X,M,Y	1.1	1.25	1000	15	110	34	2.5
757121040	757120083-H	40:1	4800/4800Y	120	0.3 W,X,M,Y	1.1	1.25	1000	15	110	34	2.5
757121060	757120084-H	60:1	7200/12470Y	120	0.3 W,X,M,Y	1.1	1.25	1000	15	110	34	2.5
757121063	757120085-H	63.5:1	7620/13200Y	120	0.3 W,X,M,Y	1.1	1.25	1000	15	110	34	2.5
757121070	757120086-H	70:1	8400/14550Y	120	0.3 W,X,M,Y	1.1	1.25	1000	15	110	34	2.5
757123121	757120130-H	70/121.21:1	8400/14550Y & 14545/14545Y	120	0.3 W,X,M,Y	1.1	1.25	1000	15	110	34	2.5
757121100	757120087-H	100:1	12000/12000Y	120	0.3 W,X,M,Y	1.1	1.25	1000	15	110	34	2.5
757121110	757120088-H	110:1	13200/13200Y	120	0.3 W,X,M,Y	1.1	1.25	1000	15	110	34	2.5
757121120	757120089-H	120:1	14400/14400Y	120	0.3 W,X,M,Y	1.1	1.25	1000	15	110	34	2.5
757129070	757120190-H	70:1	8400/14550Y	120	0.15 W,X	1.1	1.25	1000	15	110	34	2.5
757129100	757120191-H	100:1	12000/12000Y	120	0.15 W,X	1.1	1.25	1000	15	110	34	2.5
757129110	757120192-H	110:1	13200/13200Y	120	0.15 W,X	1.1	1.25	1000	15	110	34	2.5
757129120	757120193-H	120:1	14400/14400Y	120	0.15 W,X	1.1	1.25	1000	15	110	34	2.5
757125020	757120160-H	20:1	2400/4160Y	120	0.3 W,X,M,Y,Z	1.1	1.25	1500	15	110	34	2.5
757125030	757120161-H	30:1	3600/3600Y	120	0.3 W,X,M,Y,Z	1.1	1.25	1500	15	110	34	2.5
757125035	757120162-H	35:1	4200/4200Y	120	0.3 W,X,M,Y,Z	1.1	1.25	1500	15	110	34	2.5
757125040	757120163-H	40:1	4800/4800Y	120	0.3 W,X,M,Y,Z	1.1	1.25	1500	15	110	34	2.5
757125060	757120164-H	60:1	7200/12470Y	120	0.3 W,X,M,Y,Z	1.1	1.25	1500	15	110	34	2.5
757125063	757120165-H	63.5:1	7620/13200Y	120	0.3 W,X,M,Y,Z	1.1	1.25	1500	15	110	34	2.5
757125070	757120166-H	70:1	8400/14550Y	120	0.3 W,X,M,Y,Z	1.1	1.25	1500	15	110	34	2.5
757126121	757120180-H	70/121.21:1	8400/14550Y & 14545/14545Y	120	0.3 W,X,M,Y,Z	1.1	1.25	1500	15	110	34	2.5
757125100	757120167-H	100:1	12000/12000Y	120	0.3 W,X,M,Y,Z	1.1	1.25	1500	15	110	34	2.5
757125110	757120168-H	110:1	13200/13200Y	120	0.3 W,X,M,Y,Z	1.1	1.25	1500	15	110	34	2.5
757125120	757120169-H	120:1	14400/14400Y	120	0.3 W,X,M,Y,Z	1.1	1.25	1500	15	110	34	2.5
757126070	757120181-H	70:1	8400/14550Y	120	0.15 W,X,M,Y	1.1	1.25	1000	15	110	34	2.5
757126100	757120182-H	100:1	12000/12000Y	120	0.15 W,X,M,Y	1.1	1.25	1000	15	110	34	2.5
757126110	757120183-H	110:1	13200/13200Y	120	0.15 W,X,M,Y	1.1	1.25	1000	15	110	34	2.5
757126120	757120184-H	120:1	14400/14400Y	120	0.15 W,X,M,Y	1.1	1.25	1000	15	110	34	2.5

# VRJ-17

## 15 kV VOLTAGE TRANSFORMER

### Electrical characteristics

Code (CEP)	Code (HCEP)	Ratio	Primary (V)	Secondary (V)	IEEE Metering Accuracy	Continuous Rated Voltage Factor (Un)	Rated Voltage Factor 30 s (Un)	Thermal Burden (VA)	Nominal Voltage System (kV)	BIL (kV)	Power-Frequency Withstand Voltage (1 min)	
											Primary & Secondary (kV <sub>rms</sub> )	Secondary Winding (kV <sub>rms</sub> )
<b>Without FUSE in the secondary box</b>												
757124020	757120140-H	20:1	2400/4160Y	120	0.3 W,X,M,Y	1.1	1.25	1000	15	110	34	2.5
757124030	757120141-H	30:1	3600/3600Y	120	0.3 W,X,M,Y	1.1	1.25	1000	15	110	34	2.5
757124035	757120142-H	35:1	4200/4200Y	120	0.3 W,X,M,Y	1.1	1.25	1000	15	110	34	2.5
757124040	757120143-H	40:1	4800/4800Y	120	0.3 W,X,M,Y	1.1	1.25	1000	15	110	34	2.5
757124060	757120144-H	60:1	7200/12470Y	120	0.3 W,X,M,Y	1.1	1.25	1000	15	110	34	2.5
757124063	757120145-H	63.5:1	7620/13200Y	120	0.3 W,X,M,Y	1.1	1.25	1000	15	110	34	2.5
757124070	757120146-H	70:1	8400/14550Y	120	0.3 W,X,M,Y	1.1	1.25	1000	15	110	34	2.5
757124100	757120147-H	100:1	12000/12000Y	120	0.3 W,X,M,Y	1.1	1.25	1000	15	110	34	2.5
757124110	757120148-H	110:1	13200/13200Y	120	0.3 W,X,M,Y	1.1	1.25	1000	15	110	34	2.5
757124120	757120149-H	120:1	14400/14400Y	120	0.3 W,X,M,Y	1.1	1.25	1000	15	110	34	2.5
757120020	757120000-H	20:1	2400/4160Y	120	0.3 W,X,M,Y,Z	1.1	1.25	1500	15	110	34	2.5
757120030	757120001-H	30:1	3600/3600Y	120	0.3 W,X,M,Y,Z	1.1	1.25	1500	15	110	34	2.5
757120035	757120002-H	35:1	4200/4200Y	120	0.3 W,X,M,Y,Z	1.1	1.25	1500	15	110	34	2.5
757120040	757120003-H	40:1	4800/4800Y	120	0.3 W,X,M,Y,Z	1.1	1.25	1500	15	110	34	2.5
757120060	757120004-H	60:1	7200/12470Y	120	0.3 W,X,M,Y,Z	1.1	1.25	1500	15	110	34	2.5
757120063	757120005-H	63.5:1	7620/13200Y	120	0.3 W,X,M,Y,Z	1.1	1.25	1500	15	110	34	2.5
757120070	757120006-H	70:1	8400/14550Y	120	0.3 W,X,M,Y,Z	1.1	1.25	1500	15	110	34	2.5
757120100	757120007-H	100:1	12000/12000Y	120	0.3 W,X,M,Y,Z	1.1	1.25	1500	15	110	34	2.5
757120110	757120008-H	110:1	13200/13200Y	120	0.3 W,X,M,Y,Z	1.1	1.25	1500	15	110	34	2.5
757120120	757120009-H	120:1	14400/14400Y	120	0.3 W,X,M,Y,Z	1.1	1.25	1500	15	110	34	2.5

Additional ratings available upon request.

