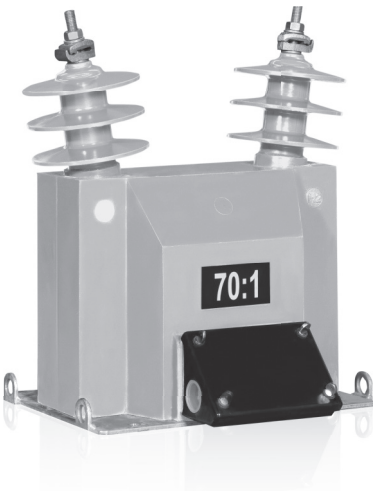


# VRJ-17

## 15 kV VOLTAGE TRANSFORMER



**OUTDOOR  
60 Hertz**

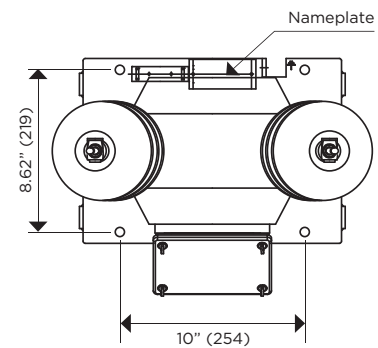
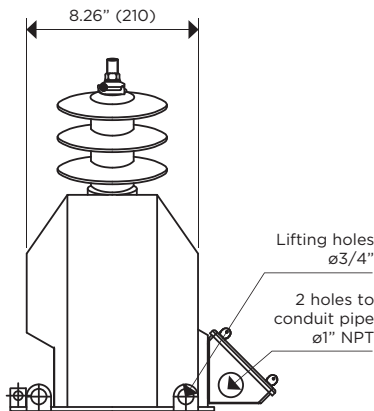
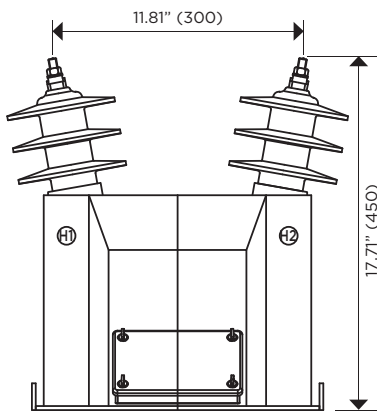
ARTECHE UR/VR series are dry type outdoor service voltage transformers. The core is encapsulated with Type B epoxy resin which provides excellent internal dielectric properties and mechanical strength. The external layer of Cycloaliphatic Epoxy Resin (CEP) provides resistance to ultraviolet rays and the effects of tracking and erosion on the exterior of the transformer ensuring a long mechanical and electrical life. The transformer is maintenance free.

The external layer can be manufactured with Hydrophobic Cycloaliphatic Epoxy Resin (HCEP) which improves service life expectancy due to its improved tracking and erosion resistance. HCEP additionally increases the transformer's weatherability and offers better performance in heavily polluted environments.

The core is built with high permeability grain oriented silicon steel laminations for low losses. The windings are copper wire with copper plate double isolation. The concentric distribution of the coils prevents magnetic flux leakage, achieving greater accuracy and higher capacity to withstand mechanical stresses in adverse operating conditions.

Partial Discharge measurements exceed the IEEE, CAN/CSA and IEC requirements.

Mechanical characteristics		Weight (lbs.)	Creepage distance (in)	Strike distance (in)
Insulation Material	Colors	97	21.2	10.82
Resin	Gray*			



Drawing number:  
Fused: 4286571  
Unfused: 4286770

	PRIMARY TERMINAL	GROUND TERMINAL	SECONDARY TERMINAL
CONNECTIONS			
	Type: TE-4T Material: Copper Range: 8SOL-4TRE	Type: TE-12-250 Material: Copper Range: 4TRE-250MCM	Type: Quick Connector Material: Brass

	SINGLE SECONDARY	ONE SECONDARY WITH TAP
MARKING (Single Primary Ratio)		
	FUSED	FUSED
	UNFUSED	UNFUSED

Approximate dimensions in inches (mm). • \* Brown color available upon request

# VRJ-17

## 15 kV VOLTAGE TRANSFORMER

Electrical characteristics											
Code * (CEP)	Ratio	Primary (V)	Secondary (V)	IEEE Metering Accuracy	Continuous Rated Voltage Factor (Un)	Rated Voltage Factor 30 s (Un)	Thermal Burden (VA)	Nominal Voltage System (kV)	BIL (kV)	Power-Frequency Withstand Voltage (1 min)	
										Primary & Secondary (kV <sub>rms</sub> )	Secondary Winding (kV <sub>rms</sub> )
With FUSE in the secondary box											
757121020	20:1	2400/4160Y	120	0.3 W,X,M,Y	1.1	1.25	1000	15	110	34	2.5
757121030	30:1	3600/3600Y	120	0.3 W,X,M,Y	1.1	1.25	1000	15	110	34	2.5
757121035	35:1	4200/4200Y	120	0.3 W,X,M,Y	1.1	1.25	1000	15	110	34	2.5
757121040	40:1	4800/4800Y	120	0.3 W,X,M,Y	1.1	1.25	1000	15	110	34	2.5
757121060	60:1	7200/12470Y	120	0.3 W,X,M,Y	1.1	1.25	1000	15	110	34	2.5
757121063	63.5:1	7620/13200Y	120	0.3 W,X,M,Y	1.1	1.25	1000	15	110	34	2.5
757121070	70:1	8400/14550Y	120	0.3 W,X,M,Y	1.1	1.25	1000	15	110	34	2.5
757123121	70/121.21:1	8400/14550Y & 14545/14545Y	120	0.3 W,X,M,Y	1.1	1.25	1000	15	110	34	2.5
757121100	100:1	12000/12000Y	120	0.3 W,X,M,Y	1.1	1.25	1000	15	110	34	2.5
757121110	110:1	13200/13200Y	120	0.3 W,X,M,Y	1.1	1.25	1000	15	110	34	2.5
757121120	120:1	14400/14400Y	120	0.3 W,X,M,Y	1.1	1.25	1000	15	110	34	2.5
757129070	70:1	8400/14550Y	120	0.15 W,X	1.1	1.25	1000	15	110	34	2.5
757129100	100:1	12000/12000Y	120	0.15 W,X	1.1	1.25	1000	15	110	34	2.5
757129110	110:1	13200/13200Y	120	0.15 W,X	1.1	1.25	1000	15	110	34	2.5
757129120	120:1	14400/14400Y	120	0.15 W,X	1.1	1.25	1000	15	110	34	2.5
757125020	20:1	2400/4160Y	120	0.3 W,X,M,Y,Z	1.1	1.25	1500	15	110	34	2.5
757125030	30:1	3600/3600Y	120	0.3 W,X,M,Y,Z	1.1	1.25	1500	15	110	34	2.5
757125035	35:1	4200/4200Y	120	0.3 W,X,M,Y,Z	1.1	1.25	1500	15	110	34	2.5
757125040	40:1	4800/4800Y	120	0.3 W,X,M,Y,Z	1.1	1.25	1500	15	110	34	2.5
757125060	60:1	7200/12470Y	120	0.3 W,X,M,Y,Z	1.1	1.25	1500	15	110	34	2.5
757125063	63.5:1	7620/13200Y	120	0.3 W,X,M,Y,Z	1.1	1.25	1500	15	110	34	2.5
757125070	70:1	8400/14550Y	120	0.3 W,X,M,Y,Z	1.1	1.25	1500	15	110	34	2.5
757126121	70/121.21:1	8400/14550Y & 14545/14545Y	120	0.3 W,X,M,Y,Z	1.1	1.25	1500	15	110	34	2.5
757125100	100:1	12000/12000Y	120	0.3 W,X,M,Y,Z	1.1	1.25	1500	15	110	34	2.5
757125110	110:1	13200/13200Y	120	0.3 W,X,M,Y,Z	1.1	1.25	1500	15	110	34	2.5
757125120	120:1	14400/14400Y	120	0.3 W,X,M,Y,Z	1.1	1.25	1500	15	110	34	2.5
757126070	70:1	8400/14550Y	120	0.15 W,X,M,Y	1.1	1.25	1000	15	110	34	2.5
757126100	100:1	12000/12000Y	120	0.15 W,X,M,Y	1.1	1.25	1000	15	110	34	2.5
757126110	110:1	13200/13200Y	120	0.15 W,X,M,Y	1.1	1.25	1000	15	110	34	2.5
757126120	120:1	14400/14400Y	120	0.15 W,X,M,Y	1.1	1.25	1000	15	110	34	2.5

# VRJ-17

## 15 kV VOLTAGE TRANSFORMER

Electrical characteristics											
Code * (CEP)	Ratio	Primary (V)	Secondary (V)	IEEE Metering Accuracy	Continuous Rated Voltage Factor (Un)	Rated Voltage Factor 30 s (Un)	Thermal Burden (VA)	Nominal Voltage System (kV)	BIL (kV)	Power-Frequency Withstand Voltage (1 min)	
										Primary & Secondary (kV <sub>rms</sub> )	Secondary Winding (kV <sub>rms</sub> )
Without FUSE in the secondary box											
757124020	20:1	2400/4160Y	120	0.3 W,X,M,Y	1.1	1.25	1000	15	110	34	2.5
757124030	30:1	3600/3600Y	120	0.3 W,X,M,Y	1.1	1.25	1000	15	110	34	2.5
757124035	35:1	4200/4200Y	120	0.3 W,X,M,Y	1.1	1.25	1000	15	110	34	2.5
757124040	40:1	4800/4800Y	120	0.3 W,X,M,Y	1.1	1.25	1000	15	110	34	2.5
757124060	60:1	7200/12470Y	120	0.3 W,X,M,Y	1.1	1.25	1000	15	110	34	2.5
757124063	63.5:1	7620/13200Y	120	0.3 W,X,M,Y	1.1	1.25	1000	15	110	34	2.5
757124070	70:1	8400/14550Y	120	0.3 W,X,M,Y	1.1	1.25	1000	15	110	34	2.5
757124100	100:1	12000/12000Y	120	0.3 W,X,M,Y	1.1	1.25	1000	15	110	34	2.5
757124110	110:1	13200/13200Y	120	0.3 W,X,M,Y	1.1	1.25	1000	15	110	34	2.5
757124120	120:1	14400/14400Y	120	0.3 W,X,M,Y	1.1	1.25	1000	15	110	34	2.5
757120020	20:1	2400/4160Y	120	0.3 W,X,M,Y,Z	1.1	1.25	1500	15	110	34	2.5
757120030	30:1	3600/3600Y	120	0.3 W,X,M,Y,Z	1.1	1.25	1500	15	110	34	2.5
757120035	35:1	4200/4200Y	120	0.3 W,X,M,Y,Z	1.1	1.25	1500	15	110	34	2.5
757120040	40:1	4800/4800Y	120	0.3 W,X,M,Y,Z	1.1	1.25	1500	15	110	34	2.5
757120060	60:1	7200/12470Y	120	0.3 W,X,M,Y,Z	1.1	1.25	1500	15	110	34	2.5
757120063	63.5:1	7620/13200Y	120	0.3 W,X,M,Y,Z	1.1	1.25	1500	15	110	34	2.5
757120070	70:1	8400/14550Y	120	0.3 W,X,M,Y,Z	1.1	1.25	1500	15	110	34	2.5
757120100	100:1	12000/12000Y	120	0.3 W,X,M,Y,Z	1.1	1.25	1500	15	110	34	2.5
757120110	110:1	13200/13200Y	120	0.3 W,X,M,Y,Z	1.1	1.25	1500	15	110	34	2.5
757120120	120:1	14400/14400Y	120	0.3 W,X,M,Y,Z	1.1	1.25	1500	15	110	34	2.5

\* For HCEP Option add (-H) to the end of the code number.

Additional ratings available upon request.

