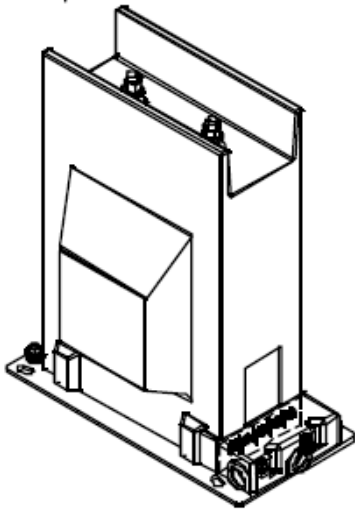


# ACF-36

# 36 kV CURRENT TRANSFORMER



INDOOR  
50 Hertz

Current transformer, support-type, valid for indoor service, cast resin.

Designed for measurement and/or protection.

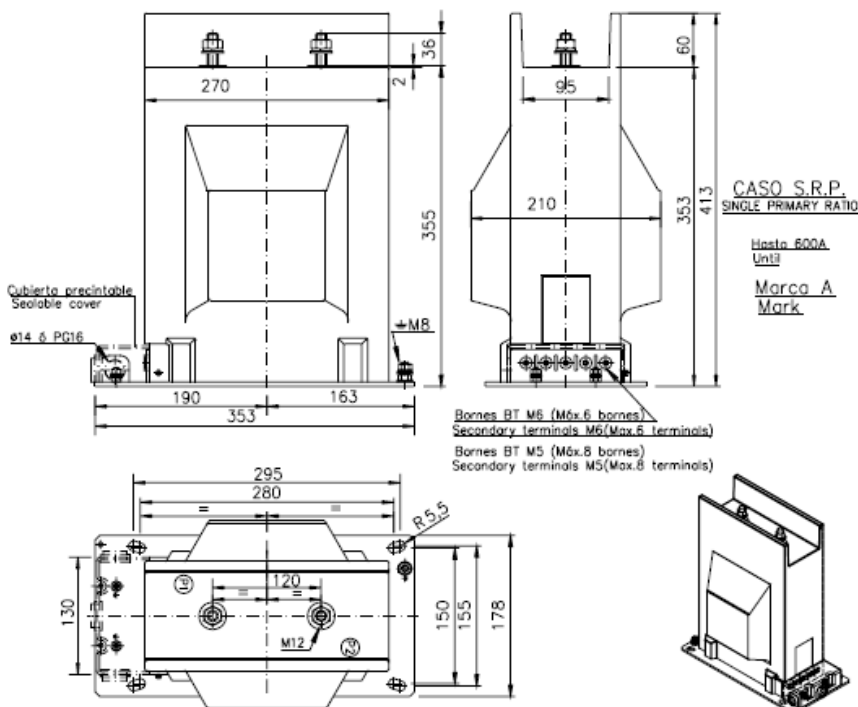
Manufactured as per standard UNE, IEC, VDE, IEEE.

Other standards or special technical specification on request.

Possibility of insulation ribs in the primary.

## Mechanical Characteristics

| Material    | Color | Weight (kg) |
|-------------|-------|-------------|
| Epoxy resin | Brown | 37          |



MARKING  
(Single  
primary  
ratio)

1 Secondary



2 Secondaries

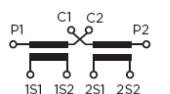


MARKING  
(Double  
ratio)

1 Secondary



2 Secondaries



Approximate dimensions in mm.

Drawing Number : 4283667

# ACF-36

# 36 kV CURRENT TRANSFORMER

## Electrical Characteristics

| Highest Voltage (kV) | Rated insulation level |                              | Maximum primary current (A) | Maximum continuous current (%) | Short Circuit current   |                        | Maximum number of cores |
|----------------------|------------------------|------------------------------|-----------------------------|--------------------------------|-------------------------|------------------------|-------------------------|
|                      | Power Frequency (kV)   | Lighting impulse (BIL) (kVp) |                             |                                | I <sub>th</sub> (kA/1s) | I <sub>din</sub> (kAp) |                         |
| 36                   | 70                     | 170                          | 2500                        | 120                            | 100                     | 250                    | 3                       |
| 36                   | 70                     | 170                          | 600x1200                    | 120                            | 50                      | 125                    | 3                       |

Other characteristics on request.

Secondary terminals:

- Size: M6
- Torque: 3 Nm
- Material: Brass

Notes:

-----

-----

-----

-----

-----

-----

-----

-----

-----

-----