

URL-17

15 kV VOLTAGE TRANSFORMER



OUTDOOR
60 Hertz

ARTECHE UR/VR series are dry type outdoor service voltage transformers. The core is encapsulated with Type B epoxy resin which provides excellent internal dielectric properties and mechanical strength. The external layer of Cycloaliphatic Epoxy Resin (CEP) provides resistance to ultraviolet rays and the effects of tracking and erosion on the exterior of the transformer ensuring a long mechanical and electrical life. The transformer is maintenance free.

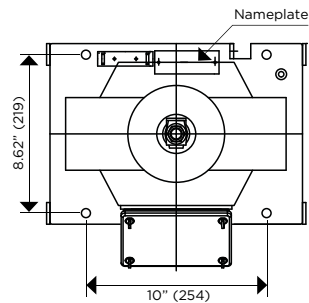
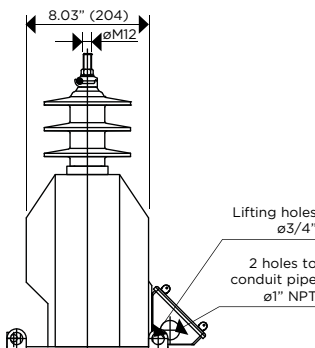
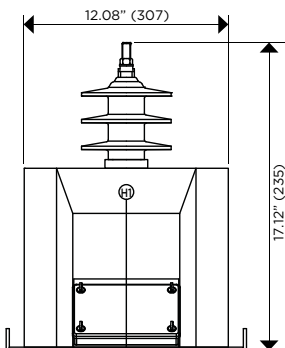
The external layer can be manufactured with Hydrophobic Cycloaliphatic Epoxy Resin (HCEP) which improves service life expectancy due to its improved tracking and erosion resistance. HCEP additionally increases the transformer's weatherability and offers better performance in heavily polluted environments.

The core is built with high permeability grain oriented silicon steel laminations for low losses. The windings are copper wire with copper plate double isolation. The concentric distribution of the coils prevents magnetic flux leakage, achieving greater accuracy and higher capacity to withstand mechanical stresses in adverse operating conditions.

Partial Discharge measurements exceed the IEEE, CAN/CSA and IEC requirements.

Mechanical characteristics

Insulation Material	Colors	Weight (lbs.)	Creepage distance (in)	Strike distance (in)
Resin	Gray*	80	21.65	12.2



Drawing number:
Fused: 4286570 | Unfused: 4286769

	PRIMARY TERMINAL	GROUND TERMINAL	SECONDARY TERMINAL
CONNECTIONS			
	Type: TE-4T Material: Copper Range: 8SOL-4TRE	Type: TE-12-250 Material: Copper Range: 4TRE-250MCM	Type: Quick Connector Material: Brass

	SINGLE SECONDARY	
MARKING (Single Primary Ratio)		
	FUSED	UNFUSED

Approximate dimensions in inches (mm).
* Brown color available upon request.

URL-17

15 kV VOLTAGE TRANSFORMER

Electrical characteristics						Continuous Rated Voltage Factor (Un)	Rated Voltage Factor 30 s (Un)	Thermal Burden (VA)	Nominal Voltage System (kV)	BIL (kV)	Power-Frequency Withstand Voltage (1 min)	
Code (CEP)	Code (HCEP)	Ratio	Primary (V)	Secondary (V)	IEEE Metering Accuracy						Primary & Secondary (kV _{rms})	Secondary Winding (kV _{rms})
With FUSE in the secondary box												
757031020	757030000-H	20:1	2400/4160GY	120	0.3 W,X,M,Y	1.1	1.5	500	5	60	19	2.5
757031035	757030001-H	35:1	4200/7280GY	120	0.3 W,X,M,Y	1.1	1.5	500	5	60	19	2.5
757031040	757030002-H	40:1	4200/4200GY	120	0.3 W,X,M,Y	1.1	1.5	500	5	60	19	2.5
757031042	757030003-H	42:1	5040/8730GY	120	0.3 W,X,M,Y	1.1	1.5	500	8.7	75	26	2.5
757031060	757030004-H	60:1	7200/12470GY	120	0.3 W,X,M,Y	1.1	1.5	500	15	110	34	2.5
757031063	757030005-H	63.5:1	7620/13200GY	120	0.3 W,X,M,Y	1.1	1.5	500	15	110	34	2.5
757031066	757030006-H	66.4:1	7968/13800GY	120	0.3 W,X,M,Y	1.1	1.5	500	15	110	34	2.5
757031067	757030007-H	66.67:1	8000/13856GY	120	0.3 W,X,M,Y	1.1	1.5	500	15	110	34	2.5
757031070	757030008-H	70:1	8400/14550GY	120	0.3 W,X,M,Y	1.1	1.5	500	15	110	34	2.5
757035020	757030071-H	20:1	2400/4160GY	120	0.3 W,X,M,Y	1.1	1.25	750	5	60	19	2.5
757035035	757030072-H	35:1	4200/7280GY	120	0.3 W,X,M,Y	1.1	1.25	750	5	60	19	2.5
757035040	757030073-H	40:1	4200/4200GY	120	0.3 W,X,M,Y	1.1	1.25	750	5	60	19	2.5
757035042	757030074-H	42:1	5040/8730GY	120	0.3 W,X,M,Y	1.1	1.25	750	8.7	75	26	2.5
757035060	757030075-H	60:1	7200/12470GY	120	0.3 W,X,M,Y	1.1	1.25	750	15	110	34	2.5
757035063	757030076-H	63.5:1	7620/13200GY	120	0.3 W,X,M,Y	1.1	1.25	750	15	110	34	2.5
757035066	757030077-H	66.4:1	7968/13800GY	120	0.3 W,X,M,Y	1.1	1.25	750	15	110	34	2.5
757035067	757030078-H	66.67:1	8000/13856GY	120	0.3 W,X,M,Y	1.1	1.25	750	15	110	34	2.5
757035070	757030079-H	70:1	8400/14550GY	120	0.3 W,X,M,Y	1.1	1.25	750	15	110	34	2.5
Without FUSE in the secondary box												
757034020	757030091-H	20:1	2400/4160GY	120	0.3 W,X,M,Y	1.1	1.5	500	5	60	19	2.5
757034035	757030092-H	35:1	4200/7280GY	120	0.3 W,X,M,Y	1.1	1.5	500	5	60	19	2.5
757034040	757030093-H	40:1	4200/4200GY	120	0.3 W,X,M,Y	1.1	1.5	500	5	60	19	2.5
757034042	757030094-H	42:1	5040/8730GY	120	0.3 W,X,M,Y	1.1	1.5	500	8.7	75	26	2.5
757034060	757030095-H	60:1	7200/12470GY	120	0.3 W,X,M,Y	1.1	1.5	500	15	110	34	2.5
757034063	757030096-H	63.5:1	7620/13200GY	120	0.3 W,X,M,Y	1.1	1.5	500	15	110	34	2.5
757034066	757030097-H	66.4:1	7968/13800GY	120	0.3 W,X,M,Y	1.1	1.5	500	15	110	34	2.5
757034067	757030098-H	66.67:1	8000/13856GY	120	0.3 W,X,M,Y	1.1	1.5	500	15	110	34	2.5
757034070	757030099-H	70:1	8400/14550GY	120	0.3 W,X,M,Y	1.1	1.5	500	15	110	34	2.5
757030020	757030111-H	20:1	2400/4160GY	120	0.3 W,X,M,Y	1.1	1.25	750	5	60	19	2.5
757030035	757030112-H	35:1	4200/7280GY	120	0.3 W,X,M,Y	1.1	1.25	750	5	60	19	2.5
757030040	757030113-H	40:1	4200/4200GY	120	0.3 W,X,M,Y	1.1	1.25	750	5	60	19	2.5
757030042	757030114-H	42:1	5040/8730GY	120	0.3 W,X,M,Y	1.1	1.25	750	8.7	75	26	2.5
757030060	757030115-H	60:1	7200/12470GY	120	0.3 W,X,M,Y	1.1	1.25	750	15	110	34	2.5
757030063	757030116-H	63.5:1	7620/13200GY	120	0.3 W,X,M,Y	1.1	1.25	750	15	110	34	2.5
757030066	757030117-H	66.4:1	7968/13800GY	120	0.3 W,X,M,Y	1.1	1.25	750	15	110	34	2.5
757030067	757030118-H	66.67:1	8000/13856GY	120	0.3 W,X,M,Y	1.1	1.25	750	15	110	34	2.5
757030070	757030119-H	70:1	8400/14550GY	120	0.3 W,X,M,Y	1.1	1.25	750	15	110	34	2.5

Additional ratings available upon request.

Notes: