

URN-17

15 kV VOLTAGE TRANSFORMER



OUTDOOR
60 Hertz

ARTECHE UR/VR series are dry type outdoor service voltage transformers. The core is encapsulated with Type B epoxy resin which provides excellent internal dielectric properties and mechanical strength. The external layer of Cycloaliphatic Epoxy Resin (CEP) provides resistance to ultraviolet rays and the effects of tracking and erosion on the exterior of the transformer ensuring a long mechanical and electrical life. The transformer is maintenance free.

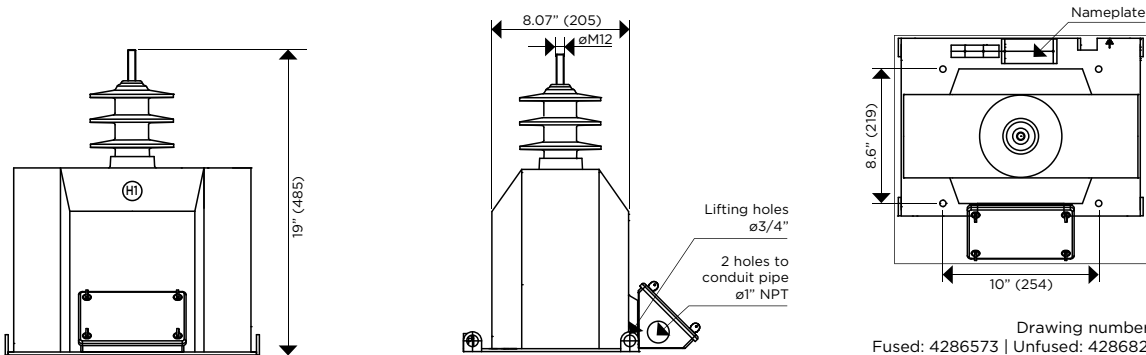
The external layer can be manufactured with Hydrophobic Cycloaliphatic Epoxy Resin (HCEP) which improves service life expectancy due to its improved tracking and erosion resistance. HCEP additionally increases the transformer's weatherability and offers better performance in heavily polluted environments.

The core is built with high permeability grain oriented silicon steel laminations for low losses. The windings are copper wire with copper plate double isolation. The concentric distribution of the coils prevents magnetic flux leakage, achieving greater accuracy and higher capacity to withstand mechanical stresses in adverse operating conditions.

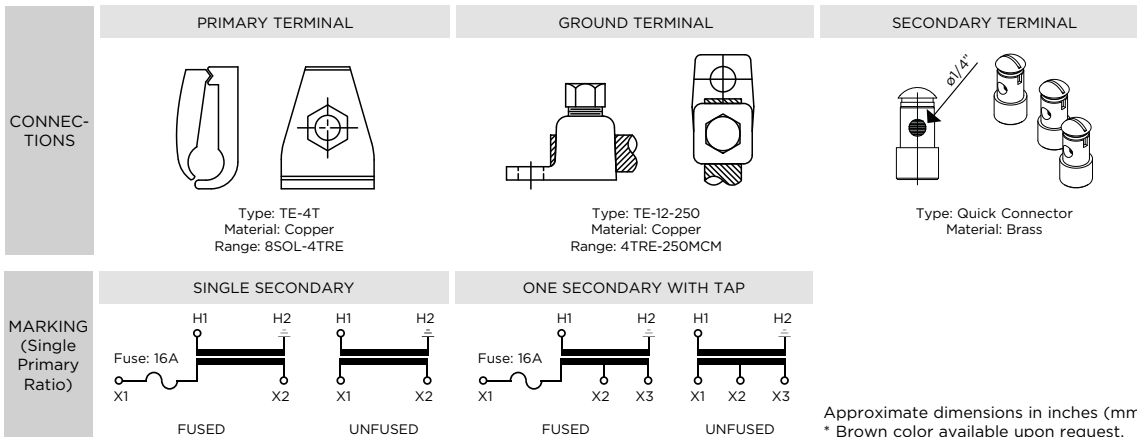
Partial Discharge measurements exceed the IEEE, CAN/CSA and IEC requirements.

Mechanical characteristics

Insulation Material	Colors	Weight (lbs.)	Creepage distance (in)	Strike distance (in)
Resin	Gray*	132	21.6	13.9



Drawing number:
Fused: 4286573 | Unfused: 4286821



Approximate dimensions in inches (mm).
* Brown color available upon request.

URN-17

15 kV VOLTAGE TRANSFORMER

Electrical characteristics

Code (CEP)	Code (HCEP)	Ratio	Primary (V)	Secondary (V)	IEEE Metering Accuracy	Continuous Rated Voltage Factor (Un)	Rated Voltage Factor 30 s (Un)	Thermal Burden (VA)	Nominal Voltage System (kV)	BIL (kV)	Power-Frequency Withstand Voltage (1 min)	
											Primary & Secondary (kV _{rms})	Secondary Winding (kV _{rms})
With FUSE in the secondary box												
757393060	757390010-H	20/60:1	2400/4156GY & 7200/12470GY	120	0.3 W,X/ 0.3 W,X,M,Y	1.1	1.5	1000	15	110	34	2.5
757393113	757390011-H	66.26/112.88:1	7620/13200GY	115/67.5	0.3 W,X,M,Y/ 0.6 W,X,M,Y	1.1	1.5	1000	15	110	34	2.5
757396060	757390030-H	20/60:1	2400/4156GY & 7200/12470GY	120	0.3 W,X/ 0.3 W,X,M,Y	1.1	1.25	1500	15	110	34	2.5
757396113	757390031-H	66.26/112.88:1	7620/13200GY	115/67.5	0.3 W,X,M,Y/ 0.6 W,X,M,Y	1.1	1.25	1500	15	110	34	2.5
Without FUSE in the secondary box												
757394060	757390020-H	20/60:1	2400/4156GY & 7200/12470GY	120	0.3 W,X/ 0.3 W,X,M,Y	1.1	1.5	1000	15	110	34	2.5
757394113	757390021-H	66.26/112.88:1	7620/13200GY	115/67.5	0.3 W,X,M,Y/ 0.6 W,X,M,Y	1.1	1.5	1000	15	110	34	2.5
757398060	757390000-H	20/60:1	2400/4156GY & 7200/12470GY	120	0.3 W,X/ 0.3 W,X,M,Y	1.1	1.25	1500	15	110	34	2.5
757398113	757390001-H	66.26/112.88:1	7620/13200GY	115/67.5	0.3 W,X,M,Y/ 0.6 W,X,M,Y	1.1	1.25	1500	15	110	34	2.5

Additional ratings available upon request.

Notes:

.....

.....

.....

.....

.....

.....

.....

.....

.....

.....

.....

.....

.....

.....

.....

.....

.....

.....

.....

.....

.....