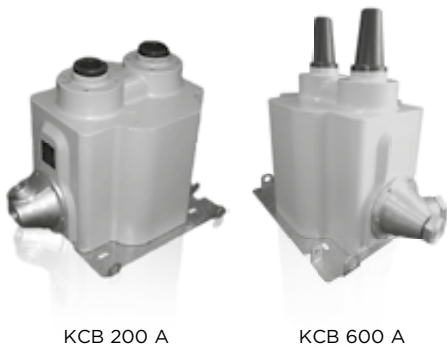


# KCB-24

## 25 kV COMBINED TRANSFORMER



KCB 200 A

KCB 600 A

INDOOR  
60 Hertz

ARTECHE KCB series are dry type indoor service dead-front combination CT-PT.

The core is encapsulated with Type B epoxy resin which provides excellent internal dielectric properties and mechanical strength, ensuring a long mechanical and electrical life. The transformer is maintenance free.

The entire surface of the transformer is coated with a conductive layer that is intended to be solidly grounded when energized. This allows for compact mounting inside switchgear or enclosures.

The core is built with high permeability grain oriented silicon steel laminations for low losses. The windings are copper wire with copper plate double isolation. The concentric distribution of the coils prevents magnetic flux leakage, achieving greater accuracy and higher capacity to withstand mechanical stresses in adverse operating conditions.

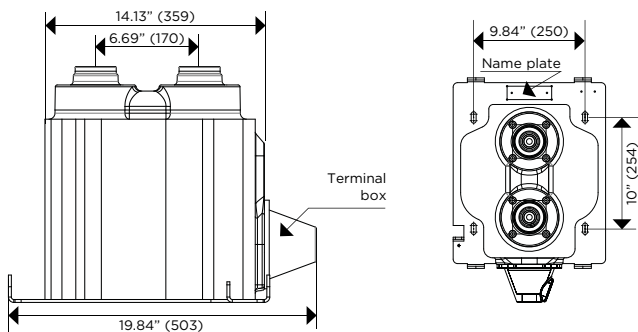
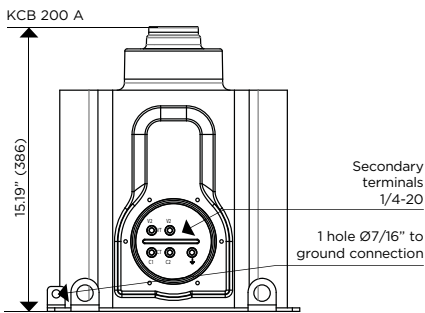
Partial Discharge measurements exceed the IEEE, CAN/CSA and IEC requirements.

The primary terminals are standard 200 or 600 Ampere rated dead-front bushing well and can be connected using IEEE 368 standard inserts and elbow connectors.

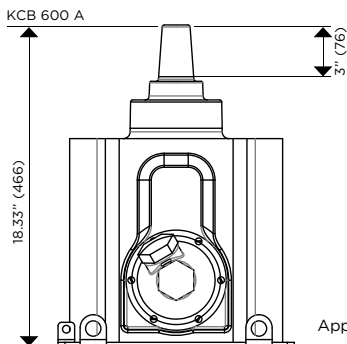
The secondary terminals are 1/4" slotted screws with flat and lock washers located inside a metallic terminal cover with two 1" NPT conduit hubs. The ground terminal is provided inside the terminal cover along with a manually operated CT secondary shorting device for safety purposes.

### Mechanical characteristics

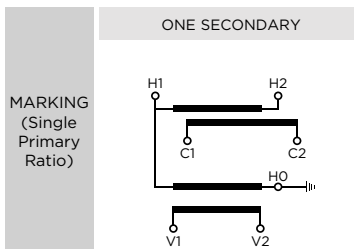
Insulation Material	Colors	Weight (lbs.)
Metallized resin	Gray	150



Drawing number: 9449854 (200 A) / 4287736 (600 A)



Approximate dimensions in inches (mm).



# KCB-24

## 25 kV COMBINED TRANSFORMER

### Electrical characteristics

Code	Current Ratio (Primary: Secondary)	Continuous Thermal Current Rating Factor @ 30°C	Short- time Thermal Current (kA/1s)	Short- time Mechanical Current (kA <sub>peak</sub> )	IEEE Metering Accuracy [Current Transformer]	IEEE Metering Accuracy [Voltage Transformer]	Nominal Voltage System (kV)	BIL (kV)	Power-Frequency Withstand Voltage (1 min)	
									Power frequency applied voltage test (kV <sub>rms</sub> )	Power frequency secondary applied voltage test (kV <sub>rms</sub> )
770104016	5:5	2.0	0.5	1.25	0.3 B-0.5	0.3 W,X,M,Y/1.2Z	25	125	50	2.5
770104026	10:5	2.0	1	2.5	0.3 B-0.5	0.3 W,X,M,Y/1.2Z	25	125	50	2.5
770104036	15:5	2.0	1.5	3.75	0.3 B-0.5	0.3 W,X,M,Y/1.2Z	25	125	50	2.5
770104046	20:5	2.0	2	5	0.3 B-0.5	0.3 W,X,M,Y/1.2Z	25	125	50	2.5
770104056	25:5	2.0	2.5	6.25	0.3 B-0.5	0.3 W,X,M,Y/1.2Z	25	125	50	2.5
770104066	30:5	2.0	3	7.5	0.3 B-0.5	0.3 W,X,M,Y/1.2Z	25	125	50	2.5
770104086	40:5	2.0	4	10	0.3 B-0.5	0.3 W,X,M,Y/1.2Z	25	125	50	2.5
770104106	50:5	2.0	5	12.5	0.3 B-0.5	0.3 W,X,M,Y/1.2Z	25	125	50	2.5
770104156	75:5	2.0	7.5	18.75	0.3 B-0.5	0.3 W,X,M,Y/1.2Z	25	125	50	2.5
770104206	100:5	2.0	10	25	0.3 B-0.5	0.3 W,X,M,Y/1.2Z	25	125	50	2.5
770105306	150:5	1.33	10	25	0.3 B-0.5	0.3 W,X,M,Y/1.2Z	25	125	50	2.5
770105406	200:5	1.0	10	25	0.3 B-0.5	0.3 W,X,M,Y/1.2Z	25	125	50	2.5
770101136	300:5	1.5	30	75	0.3 B-0.5	0.3 W,X,M,Y/1.2Z	25	125	50	2.5
770101146	400:5	1.5	40	100	0.3 B-0.5	0.3 W,X,M,Y/1.2Z	25	125	50	2.5
770101256	600:5	1.0	60	150	0.3 B-0.5	0.3 W,X,M,Y/1.2Z	25	125	50	2.5
<b>High Accuracy Extended Range</b> 1% nominal current to Rating Factor										
770101106	100:5	2.0	10	25	0.15 B-0.5	0.3 W,X,M,Y/1.2Z	25	125	50	2.5
770101126	200:5	2.0	20	50	0.15 B-0.5	0.3 W,X,M,Y/1.2Z	25	125	50	2.5
770101156	600:5	1.0	48	120	0.15 B-0.5	0.3 W,X,M,Y/1.2Z	25	125	50	2.5

### Voltage Ratings

VT Ratio	Primary (V)	Secondary (V)	Thermal Burden (VA)	Continuous Rated Voltage Factor (Un)	Rated Voltage Factor 30s (Un)
120:1	14400/24940GY	120	750	1.1	1.25

Additional VT ratios are available. Please contact Artech for details.

### Notes:

.....

.....

.....

.....

.....

.....

.....

.....

.....

.....

.....