

CRK-36

34.5 kV CURRENT TRANSFORMER



**OUTDOOR
60 Hertz**

ARTECHE CR series are dry type outdoor service current transformers. The core is encapsulated with Type B epoxy resin which provides excellent internal dielectric properties and mechanical strength. The external layer of Cycloaliphatic Epoxy Resin (CEP) provides resistance to ultraviolet rays and the effects of tracking and erosion on the exterior of the transformer ensuring a long mechanical and electrical life. The transformer is maintenance free.

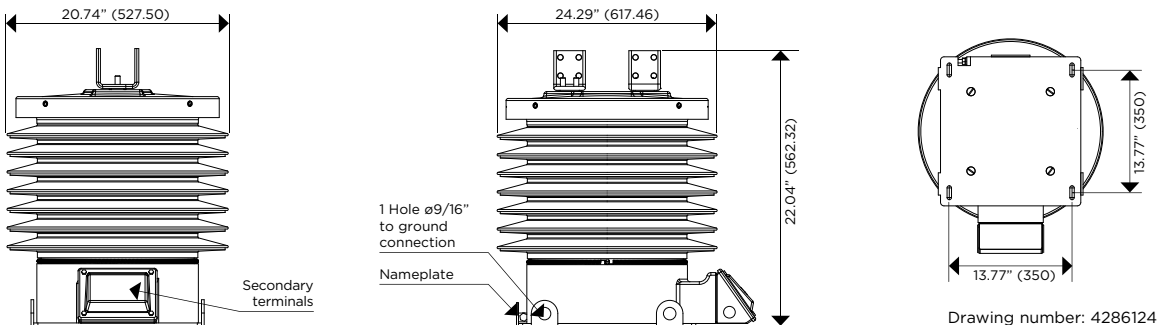
The external layer can be manufactured with Hydrophobic Cycloaliphatic Epoxy Resin (HCEP) which improves service life expectancy due to its improved tracking and erosion resistance. HCEP additionally increases the transformer's weatherability and offers better performance in heavily polluted environments.

The core is built with high permeability grain oriented silicon steel laminations for low losses. The windings are copper wire with copper plate double isolation. The concentric distribution of the coils prevents magnetic flux leakage, achieving greater accuracy and higher capacity to withstand mechanical stresses in adverse operating conditions.

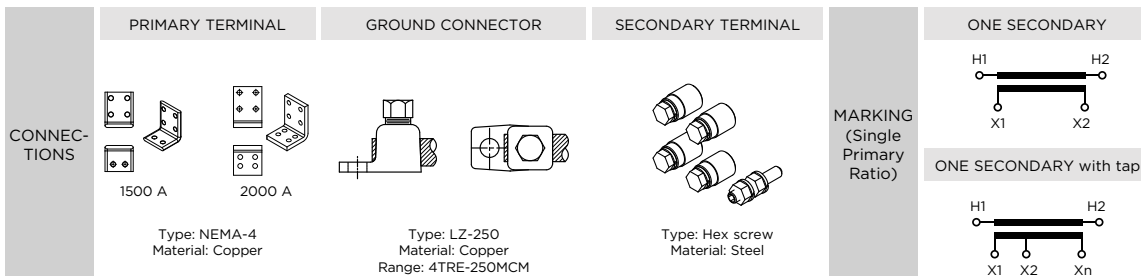
Partial Discharge measurements exceed the IEEE, CAN/CSA and IEC requirements.

Mechanical characteristics

Insulation Material	Colors	Weight (lbs.)	Creepage distance (in)	Strike distance (in)
Resin	Gray*	322	44.68	13.8



Drawing number: 4286124



Approximate dimensions in inches (mm).
* Brown color available upon request.

CRK-36

34.5 kV CURRENT TRANSFORMER

Electrical characteristics

Code (CEP)	Code (HCEP)	Current Ratio (Primary: Secondary) (A)	Continuous Thermal Current Rating Factor @ 30°C	Short-time Thermal Current (kA/1s)	Short-time Mechanical Current (kA _{peak})	IEEE Metering Accuracy	Relay Accuracy	Nominal Voltage System (kV)	BIL (kV)	Power-Frequency Withstand Voltage (1 min)	
										Primary & Secondary (kV _{rms})	Secondary Winding (kV _{rms})
756911001	756910000-H	5:5	1.5	0.5	0.95	0.3B-1.8	T400	34.5	200	70	2.5
756911002	756910001-H	10:5	1.5	1	1.9	0.3B-1.8	T400	34.5	200	70	2.5
756911003	756910002-H	15:5	1.5	1.5	2.85	0.3B-1.8	T400	34.5	200	70	2.5
756911004	756910003-H	20:5	1.5	2	3.8	0.3B-1.8	T400	34.5	200	70	2.5
756911005	756910004-H	25:5	1.5	2.5	4.75	0.3B-1.8	T400	34.5	200	70	2.5
756911006	756910005-H	30:5	1.5	3	5.7	0.3B-1.8	T400	34.5	200	70	2.5
756911008	756910006-H	40:5	1.5	4	7.6	0.3B-1.8	T400	34.5	200	70	2.5
756911010	756910007-H	50:5	1.5	5	9.5	0.3B-1.8	T400	34.5	200	70	2.5
756911015	756910008-H	75:5	1.5	6	11.4	0.3B-1.8	T400	34.5	200	70	2.5
756911020	756910009-H	100:5	1.5	7.5	14.25	0.3B-1.8	T400	34.5	200	70	2.5
756911030	756910010-H	150:5	1.5	10	19	0.3B-1.8	T400	34.5	200	70	2.5
756911040	756910011-H	200:5	1.5	20	38	0.3B-1.8	T400	34.5	200	70	2.5
756911060	756910012-H	300:5	1.5	30	57	0.3B-1.8	T400	34.5	200	70	2.5
756911080	756910013-H	400:5	1.5	40	76	0.3B-1.8	T400	34.5	200	70	2.5
756911100	756910014-H	500:5	1.5	50	9.5	0.3B-1.8	T400	34.5	200	70	2.5
756911120	756910015-H	600:5	1.5	60	86.7	0.3B-1.8	T400	34.5	200	70	2.5
756911160	756910016-H	800:5	1.5	60	114	0.3B-1.8	T400	34.5	200	70	2.5
756911200	756910017-H	1000:5	1.5	75	142.5	0.3B-1.8	T400	34.5	200	70	2.5
756911240	756910018-H	1200:5	1.5	90	171	0.3B-1.8	T400	34.5	200	70	2.5
756911400	756910019-H	2000:5	1.2	90	171	0.3B-1.8	T400	34.5	200	70	2.5
756911500	756910020-H	2500:5	1.2	90	171	0.3B-1.8	T400	34.5	200	70	2.5
756912002	756910030-H	10/20:5	3.0/1.5	2	3.8	0.3B-1.8/0.3B1.8	T200/T400	34.5	200	70	2.5
756912005	756910031-H	25/50:5	3.0/1.5	5	9.5	0.3B-1.8/0.3B1.8	T200/T400	34.5	200	70	2.5
756912006	756910032-H	30/60:5	3.0/1.5	6	11.4	0.3B-1.8/0.3B1.8	T200/T400	34.5	200	70	2.5
756912010	756910033-H	50/100:5	3.0/1.5	10	19	0.3B-1.8/0.3B1.8	T200/T400	34.5	200	70	2.5
756912015	756910034-H	75/150:5	3.0/1.5	15	28.5	0.3B-1.8/0.3B1.8	T200/T400	34.5	200	70	2.5
756912020	756910035-H	100/200:5	3.0/1.5	20	38	0.3B-1.8/0.3B1.8	T200/T400	34.5	200	70	2.5
756912030	756910036-H	150/300:5	3.0/1.5	30	57	0.3B-1.8/0.3B1.8	T200/T400	34.5	200	70	2.5
756912040	756910037-H	200/400:5	3.0/1.5	40	76	0.3B-1.8/0.3B1.8	T200/T400	34.5	200	70	2.5
756912060	756910038-H	300/600:5	3.0/1.5	60	86.7	0.3B-1.8/0.3B1.8	T200/T400	34.5	200	70	2.5
756912080	756910039-H	400/800:5	3.0/1.5	60	114	0.3B-1.8/0.3B1.8	T200/T400	34.5	200	70	2.5
756912100	756910040-H	500/1000:5	3.0/1.5	75	142.5	0.3B-1.8/0.3B1.8	T200/T400	34.5	200	70	2.5
756912120	756910041-H	600/1200:5	3.0/1.5	90	171	0.3B-1.8/0.3B1.8	T200/T400	34.5	200	70	2.5
756912150	756910042-H	750/1500:5	3.0/1.5	90	171	0.3B-1.8/0.3B1.8	T200/T400	34.5	200	70	2.5
756912200	756910043-H	1000/2000:5	2.4/1.2	90	171	0.3B-1.8/0.3B1.8	T200/T400	34.5	200	70	2.5

Additional ratings available upon request.