

# MI-025

## 25 kV METERING UNIT



**OUTDOOR**  
60 Hertz

ARTECHE MI series metering units are outdoor, three-phase, pad-mounted cabinets.

The cabinet is made of #12 caliber stainless steel lamination (2.7 mm or 0.105 in) with Munsell Green #7GY 3.29/1.5 powder finish. The doors are pad-lockable with a three point latch and a penta-head bolt.

MI series incorporate 3 combined transformers. Their core is encapsulated with Type B epoxy resin which provides excellent internal dielectric properties and mechanical strength, ensuring a long mechanical and electrical life. The transformer is maintenance free.

The entire surface of the transformer is coated with a conductive layer that is intended to be solidly grounded when energized. This allows for compact mounting inside switchgear or enclosures.

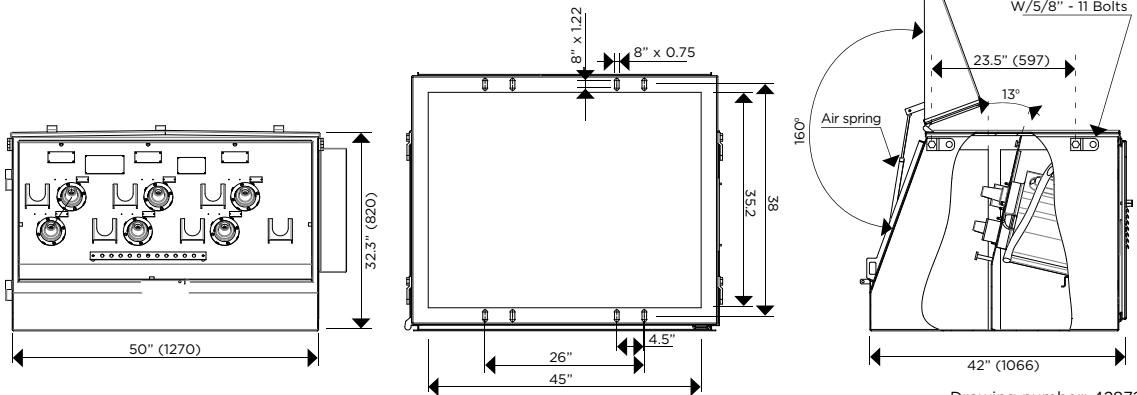
The core is built with high permeability grain oriented silicon steel laminations for low losses. The windings are copper wire with copper plate double isolation. The concentric distribution of the coils prevents magnetic flux leakage, achieving greater accuracy and higher capacity to withstand mechanical stresses in adverse operating conditions.

Partial Discharge measurements exceed the IEEE, CAN/CSA and IEC requirements.

The primary bushing well connections are IEEE 386 compliant, rated 200 A loadbreak or 600 A non load-break. The secondary terminals are pre-wired to a 10 position test switch and 9S meter socket in standard red/black colors.

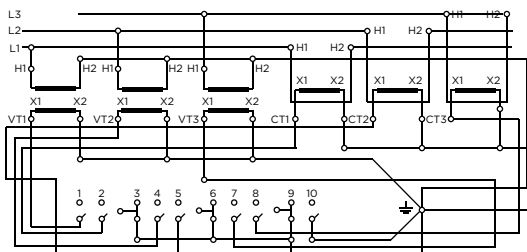
### Mechanical characteristics

Material	Colors	Weight (lbs.)
Stainless steel	Munsell Green	992



Drawing number: 4287251

### MARKING



Approximate dimensions in inches (mm).

# MI-025

## 25 kV METERING UNIT

Electrical characteristics										
Code	Current Ratio (Primary: Secondary)	Continuous Thermal Current Rating Factor @ 30°C	Short- time Thermal Current (kA/1s)	Short- time Mechanical Current (kA <sub>peak</sub> )	IEEE Metering Accuracy [Current Transformer]	IEEE Metering Accuracy [Voltage Transformer]	Nominal Voltage System (kV)	BIL (kV)	Power-Frequency Withstand Voltage (1 min)	
									Primary & Secondary (kV <sub>rms</sub> )	Secondary Winding (kV <sub>rms</sub> )
770584016	5:5	2.0	0.5	1.25	0.3 B-0.5	0.3 W,X,M,Y/1.2Z	25	150	50	2.5
770584026	10:5	2.0	1	2.5	0.3 B-0.5	0.3 W,X,M,Y/1.2Z	25	150	50	2.5
770584036	15:5	2.0	1.5	3.75	0.3 B-0.5	0.3 W,X,M,Y/1.2Z	25	150	50	2.5
770584046	20:5	2.0	2	5	0.3 B-0.5	0.3 W,X,M,Y/1.2Z	25	150	50	2.5
770584056	25:5	2.0	2.5	6.25	0.3 B-0.5	0.3 W,X,M,Y/1.2Z	25	150	50	2.5
770584066	30:5	2.0	3	7.5	0.3 B-0.5	0.3 W,X,M,Y/1.2Z	25	150	50	2.5
770584086	40:5	2.0	4	10	0.3 B-0.5	0.3 W,X,M,Y/1.2Z	25	150	50	2.5
770584106	50:5	2.0	5	12.5	0.3 B-0.5	0.3 W,X,M,Y/1.2Z	25	150	50	2.5
770584156	75:5	2.0	7.5	18.75	0.3 B-0.5	0.3 W,X,M,Y/1.2Z	25	150	50	2.5
770584206	100:5	2.0	10	25	0.3 B-0.5	0.3 W,X,M,Y/1.2Z	25	150	50	2.5
770585306	150:5	1.33	10	25	0.3 B-0.5	0.3 W,X,M,Y/1.2Z	25	150	50	2.5
770585406	200:5	1.0	10	25	0.3 B-0.5	0.3 W,X,M,Y/1.2Z	25	150	50	2.5
770581136	300:5	1.5	30	75	0.3 B-0.5	0.3 W,X,M,Y/1.2Z	25	125	50	2.5
770581146	400:5	1.5	40	100	0.3 B-0.5	0.3 W,X,M,Y/1.2Z	25	125	50	2.5
770581166	600:5	1.0	60	150	0.3 B-0.5	0.3 W,X,M,Y/1.2Z	25	125	50	2.5
<b>High Accuracy Extended Range 1% nominal current to Rating Factor</b>										
770581106	100:5	2.0	10	25	0.15 B-0.5	0.3 W,X,M,Y/1.2Z	25	125	50	2.5
770581126	200:5	2.0	20	50	0.15 B-0.5	0.3 W,X,M,Y/1.2Z	25	125	50	2.5
770581156	600:5	1.0	48	120	0.15 B-0.5	0.3 W,X,M,Y/1.2Z	25	125	50	2.5

Additional ratings available upon request.

Voltage Ratings					
VT Ratio	Primary (V)	Secondary (V)	Thermal Burden (VA)	Continuous Rated Voltage Factor (Un)	Rated Voltage Factor 30s (Un)
120:1	14400/24940GY	120	750	1.1	1.25

Additional VT ratios are available. Please contact Arteche for details.

### Notes:

.....

.....

.....

.....

.....

.....

.....

.....

.....

.....

.....

.....

.....

.....

.....

.....

.....

.....

.....

.....

.....

.....

.....